

NOTES :

1. CONSIST OF 20 TURNS # 30 MAGNET WIRE CLOSELY WOUND ON 1 MEG , 1/2 W RESISTOR.
2. UNLESS OTHERWISE SPECIFIED RESISTORS 1/4 W, 5 %
3. [] INDICATES FRONT PANEL MOUNTING.
4. ALL WIRE TO BE SIZE 22 AWG (INSULATED)

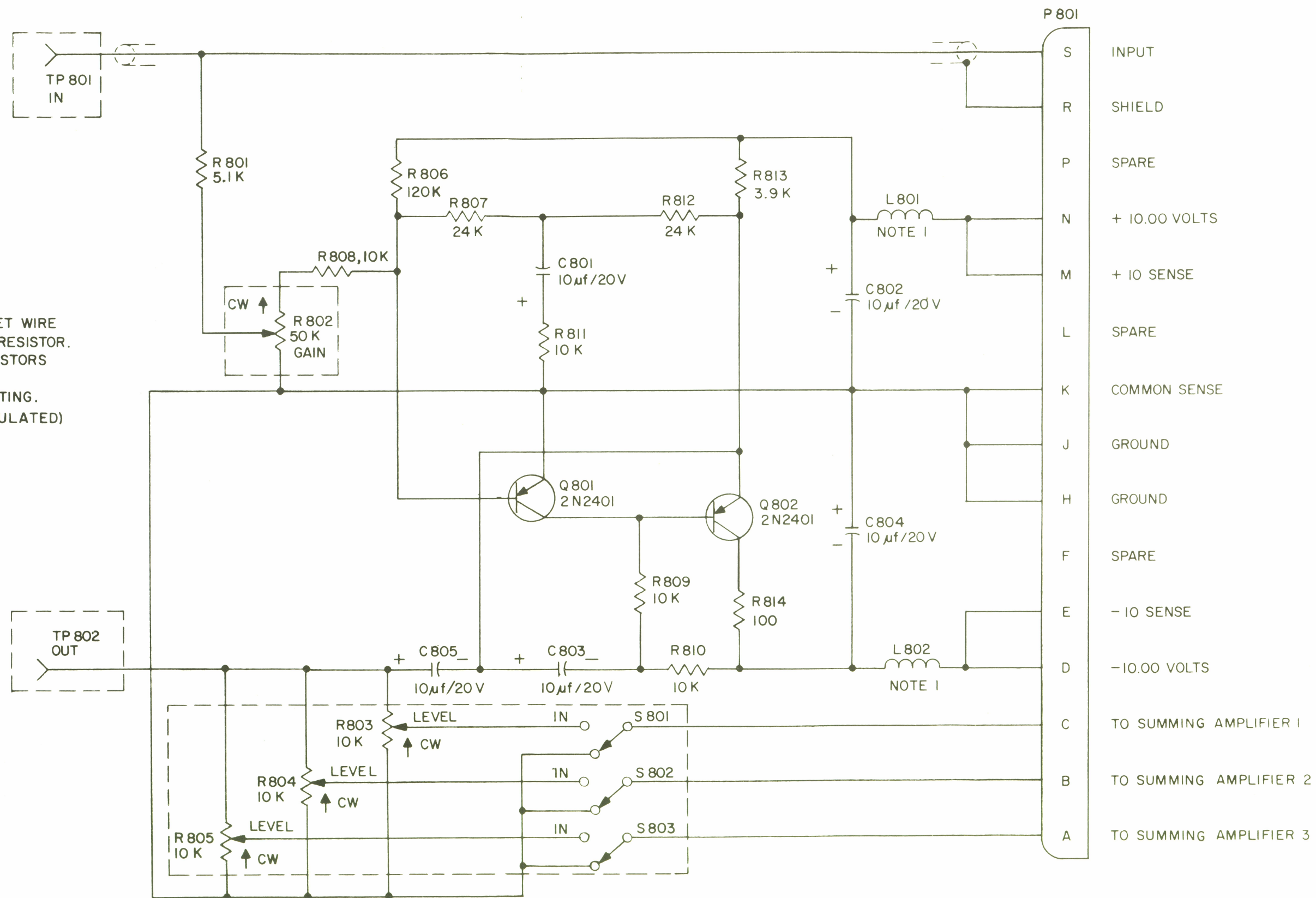


Figure 7-7. Model AM-1 Direct Input Module, Schematic Diagram D31-348