

NOTES:

UNLESS OTHERWISE SPECIFIED:

1. ALL RESISTORS ARE IN OHMS, 1/4 W ± 5% .
2. ALL CAPACITOR VALUE IN MICROFARADS.
3. R404 SELECTED IN TEST FOR $Z_{IN} = 0$ ohms (APPROX. 1K).
4. R408 = R409; VALUE SELECTED IN TEST FOR $Z_o = 0$ ohms ($\approx 47K$).
5. LOCATED ON FRONT PANEL; ALL OTHER PARTS ON SUMMING AMP. CARD.

HIGHEST REF. DESIGNATION USED			
C410			
CR402			
R421			
Q405			
REF. DESIGNATION NOT USED			

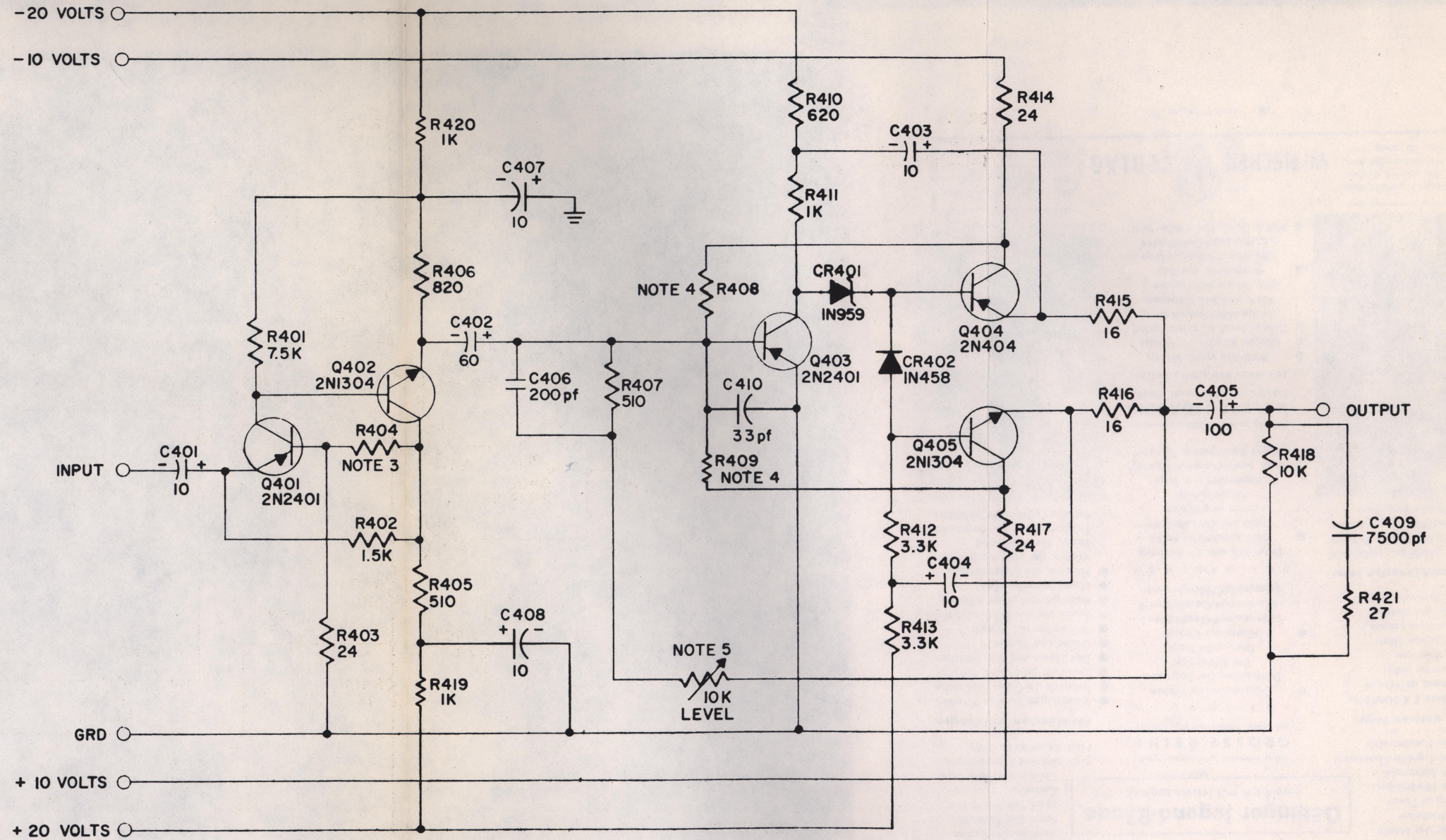


Figure 7-2. Model DIC-1A Summing Amplifier, Schematic Diagram D30-294