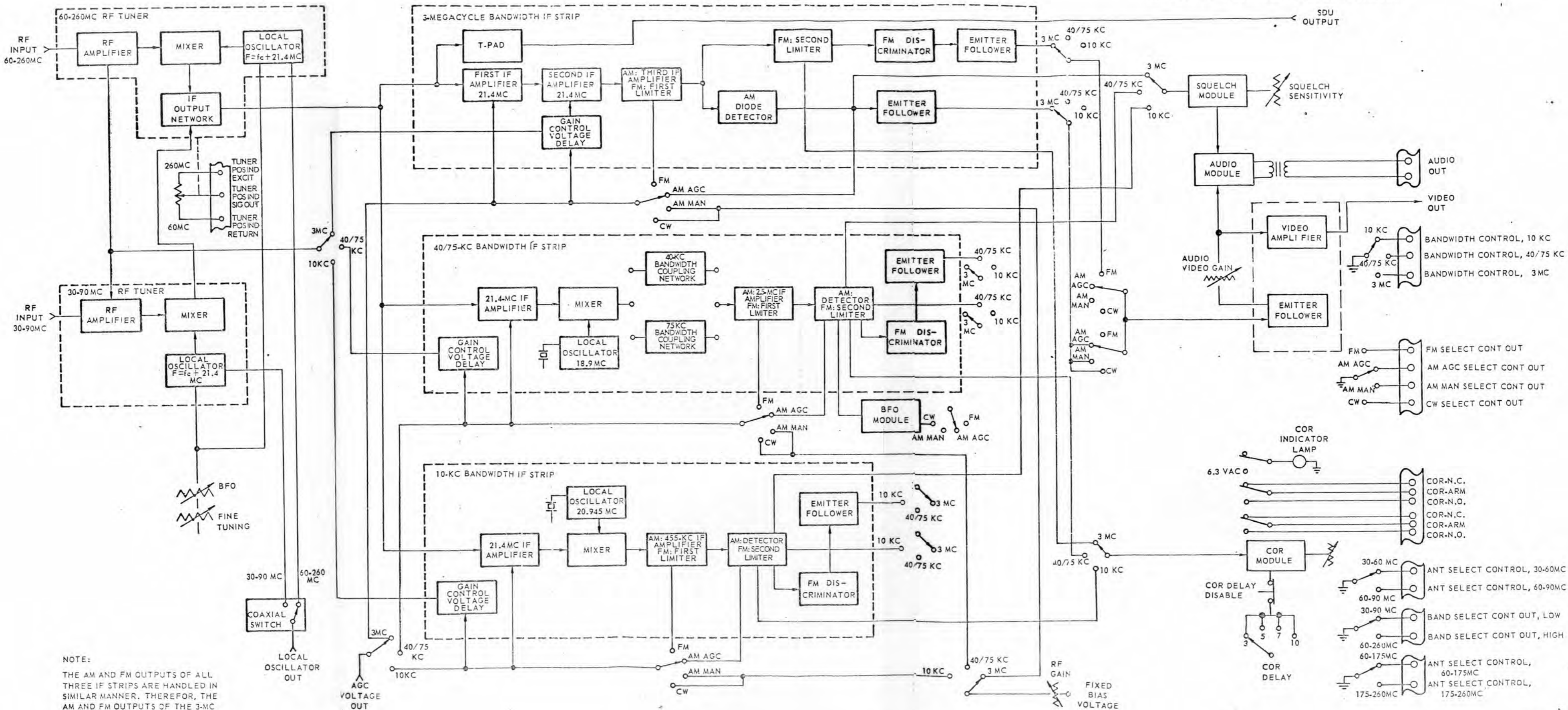


Courtesy of <http://BlackRadios.terry.org>

G175C(1) RECEIVER BLOCK DIAGRAM



NOTE:  
 THE AM AND FM OUTPUTS OF ALL THREE IF STRIPS ARE HANDLED IN SIMILAR MANNER. THEREFORE, THE AM AND FM OUTPUTS OF THE 3-MC BANDWIDTH IF STRIP ARE SHOWN AS TYPICAL FOR ALL THREE.

Figure 4-1  
 FOR OFFICIAL USE ONLY

08-00054

Courtesy of <http://BlackRadios.terryo.org>

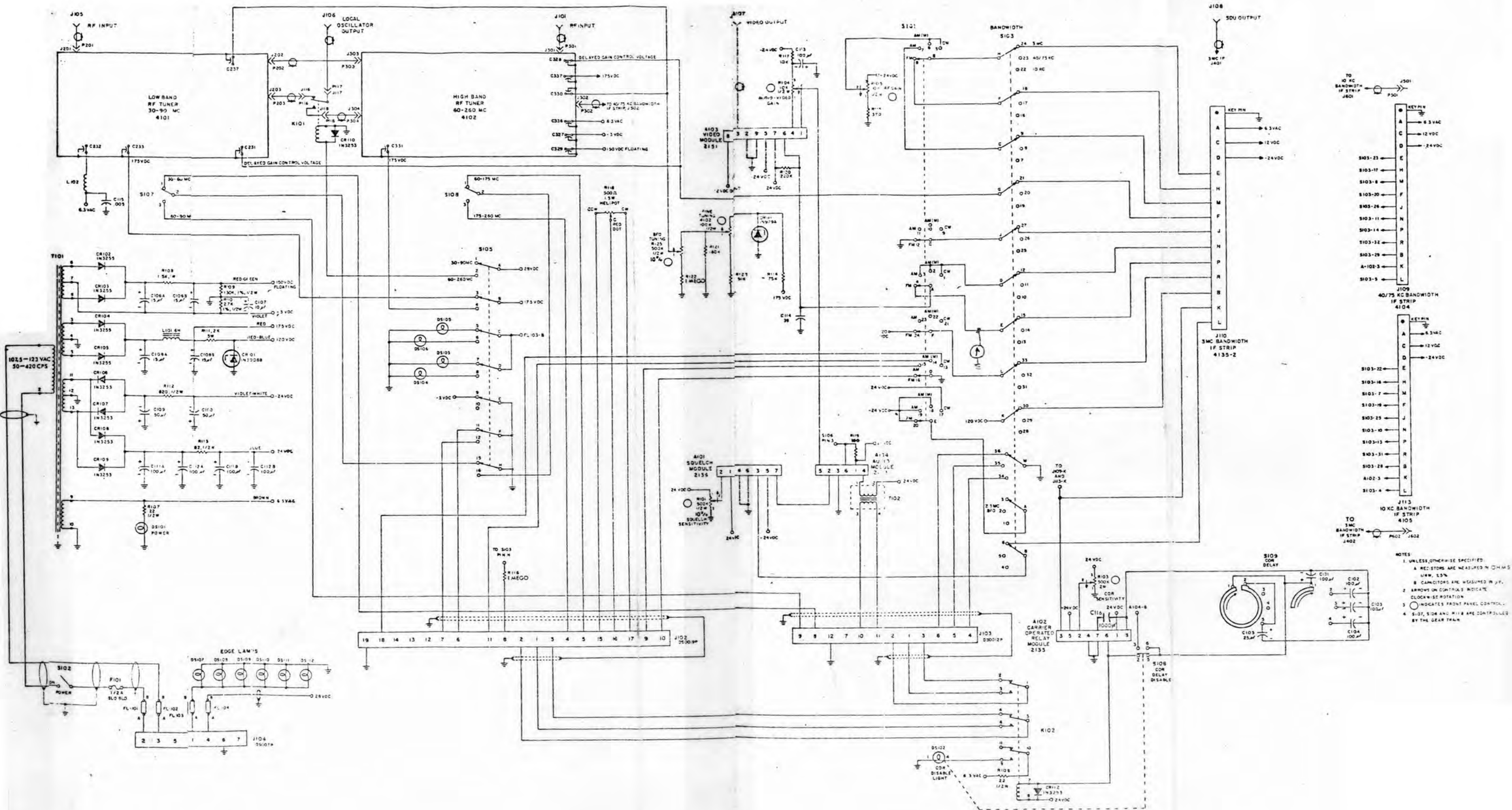
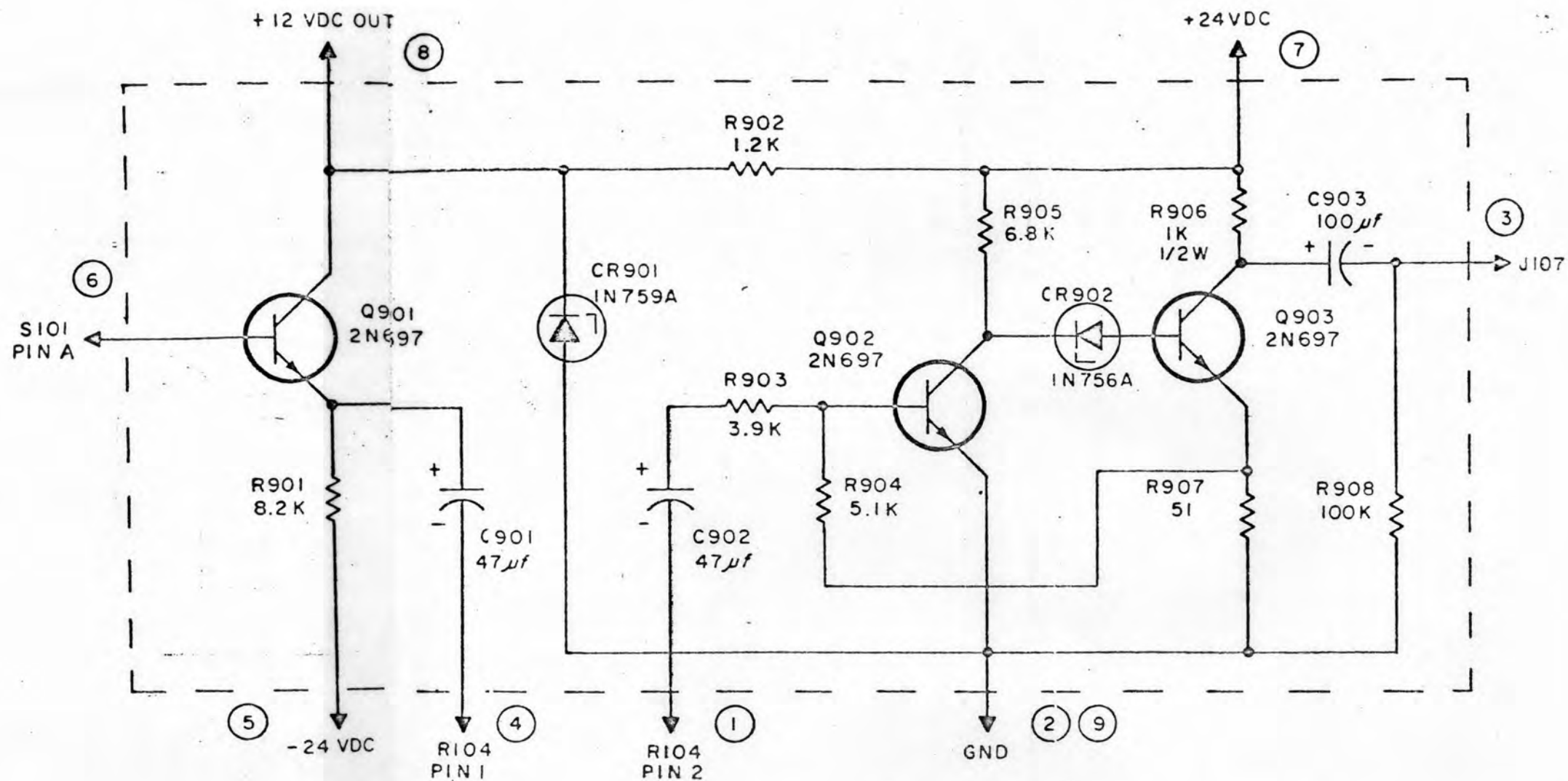


Figure 7-1. G175C(1) Main Chassis Schematic FOR OFFICIAL USE ONLY

Courtesy of <http://BlackRadios.terryo.org>

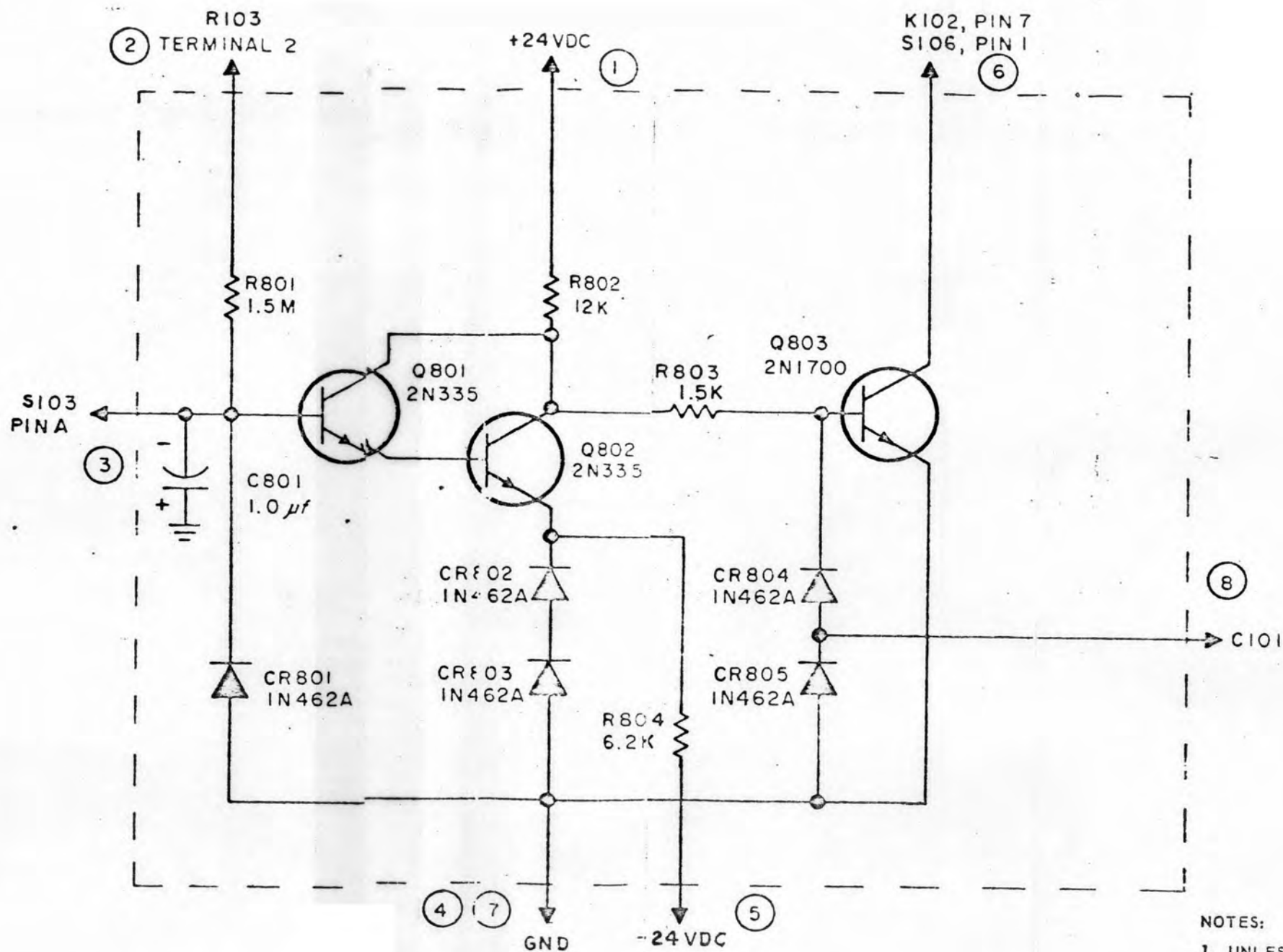


## NOTES:

1. UNLESS OTHERWISE SPECIFIED:  
RESISTORS ARE IN OHMS,  $\frac{1}{4}$ W,  $\pm 5\%$ .  
CAPACITORS ARE MEASURED IN  $\mu$ f.
2. MODULE PIN NUMBERS ARE  
ENCIRCLED.

Figure 7-10. Video Module Schematic  
FOR OFFICIAL USE ONLY

Courtesy of <http://BlackRadios.terryo.org>



- NOTES:
1. UNLESS OTHERWISE SPECIFIED: RESISTORS ARE IN OHMS, 1/4 W, ±5%. CAPACITORS ARE MEASURED IN pf.
  2. MODULE PIN NUMBERS ARE ENCIRCLED.

Figure 7-11. Carrier Operated Relay Module Schematic  
 FOR OFFICIAL USE ONLY  
 7-23/7-24

Courtesy of <http://BlackRadios.terry.org>

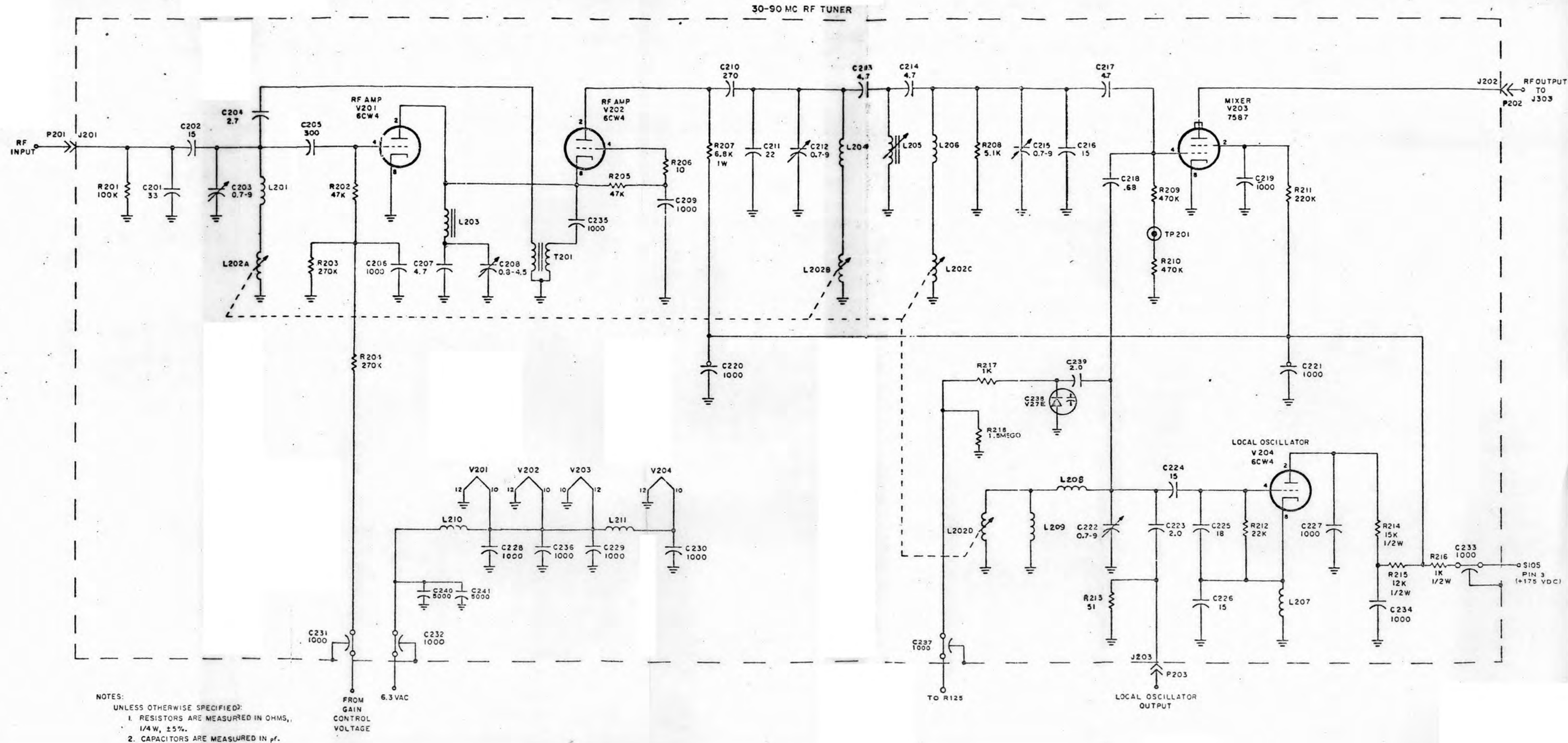
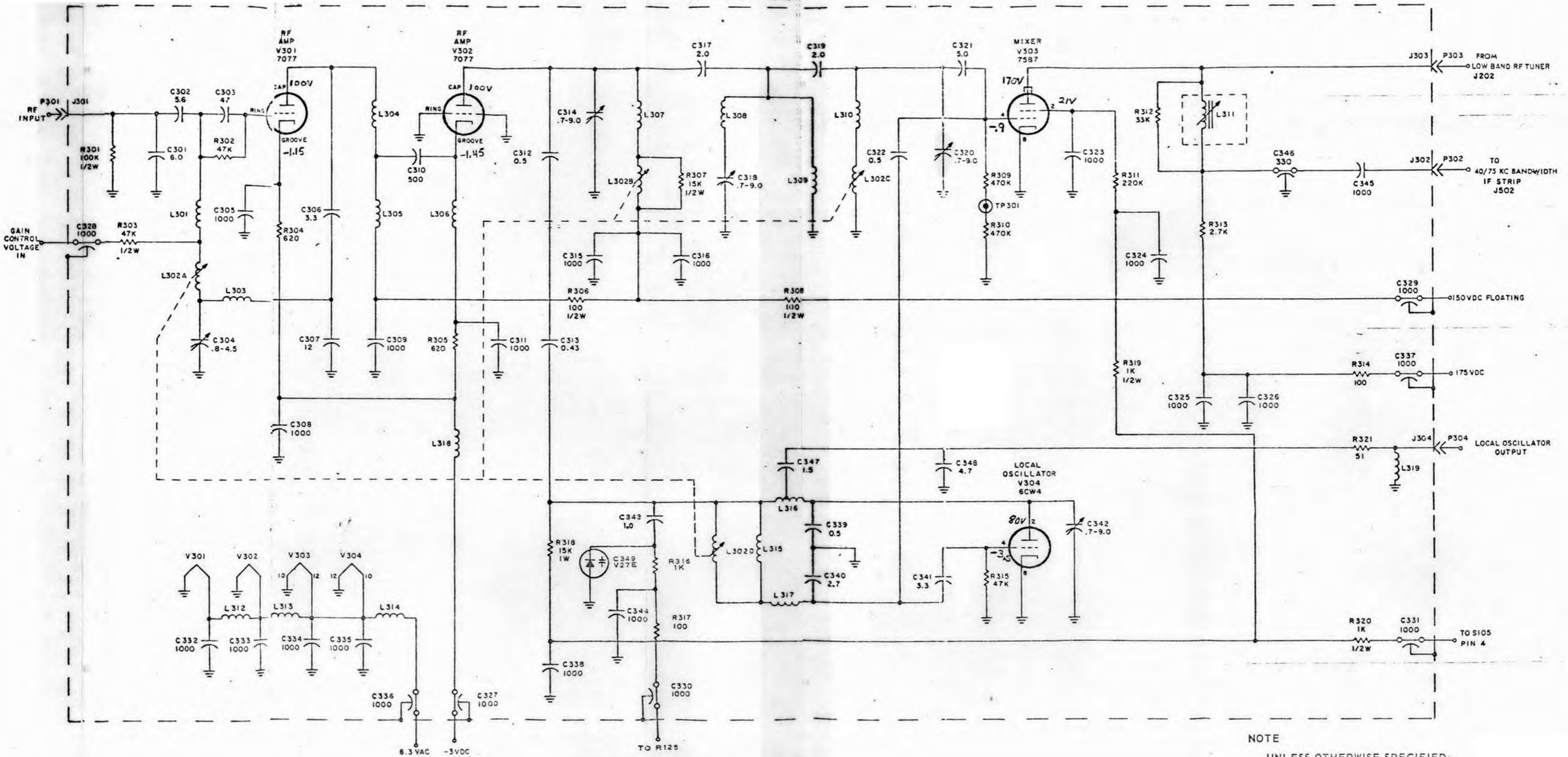


Figure 7-2. 30-90 MC Tuner Schematic  
 FOR OFFICIAL USE ONLY

Courtesy of <http://BlackRadios.terryo.org>

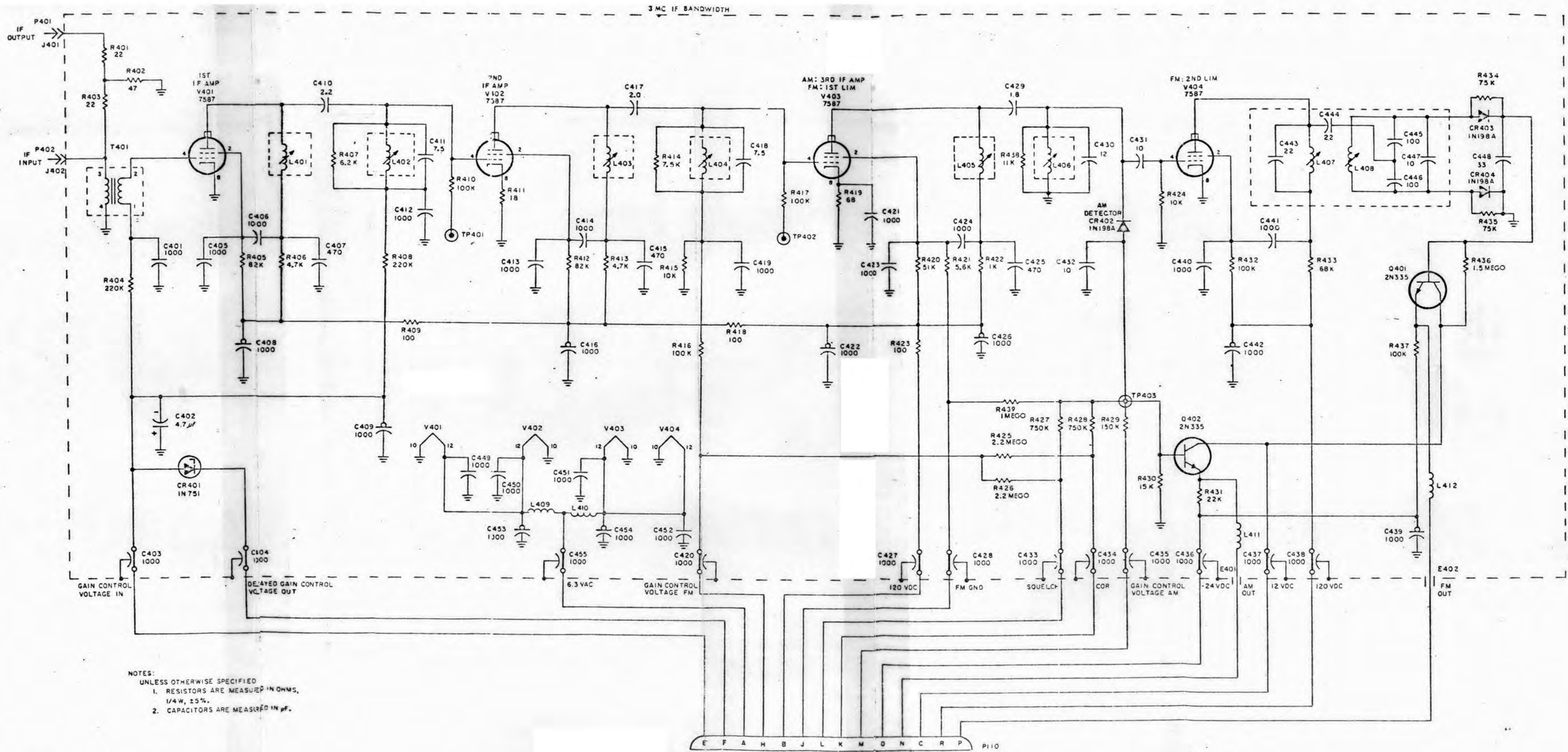
60-260 MC RF TUNER



NOTE  
 UNLESS OTHERWISE SPECIFIED:  
 RESISTORS ARE IN OHMS, 1/4W, ±5%.  
 CAPACITORS ARE MEASURED IN pF

Figure 7-3. 60-260 MC Tuner Schematic  
 FOR OFFICIAL USE ONLY

Courtesy of <http://BlackRadios.terryo.org>

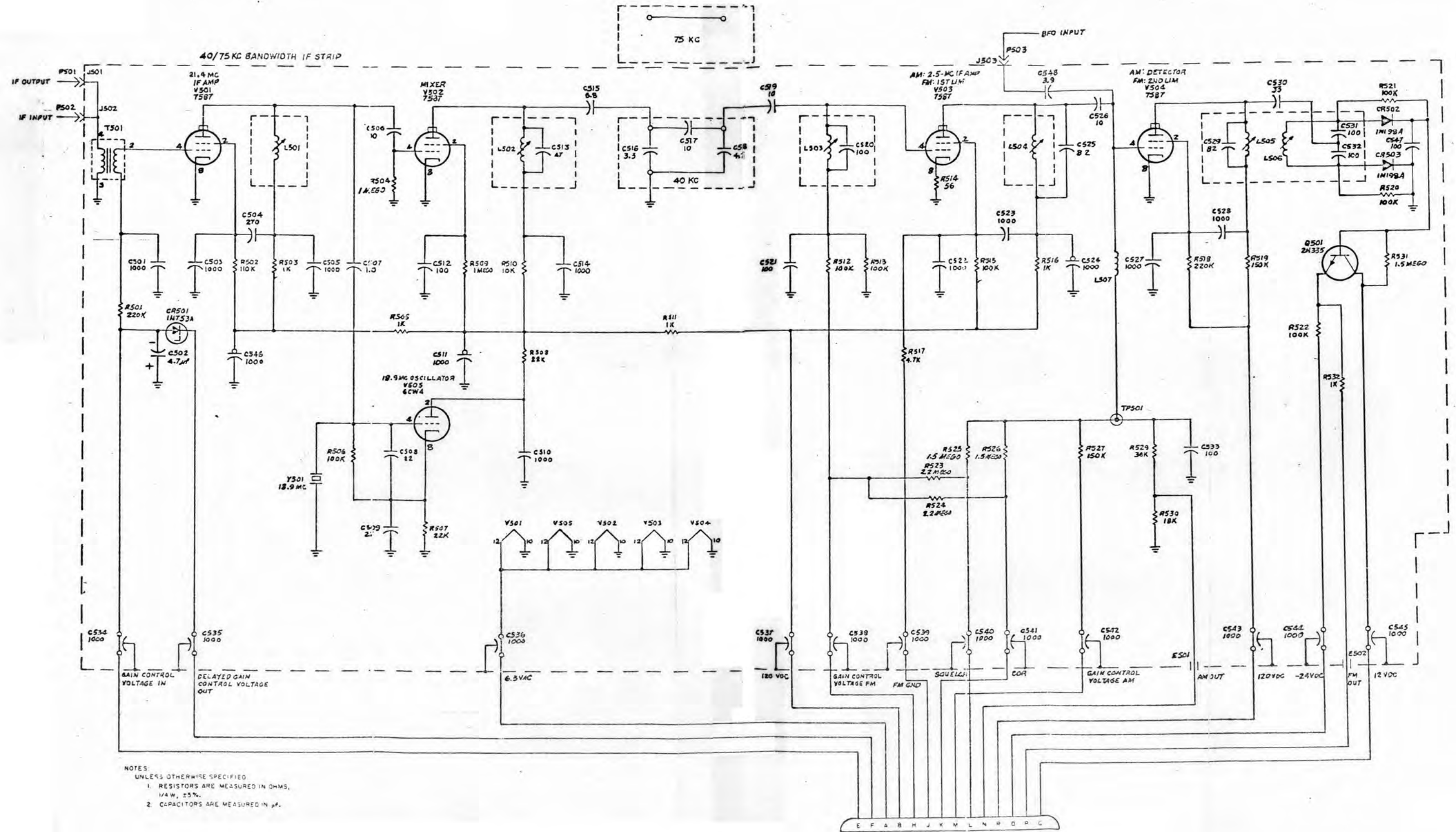


NOTES:  
 UNLESS OTHERWISE SPECIFIED  
 1. RESISTORS ARE MEASURED IN OHMS,  
 1/4 W, ±5%.  
 2. CAPACITORS ARE MEASURED IN pF.

E F A H B J L K M D N C R P P110

Figure 7-4. 3 MC Bandwidth IF Strip Schematic FOR OFFICIAL USE ONLY

Courtesy of <http://BlackRadios.terryo.org>

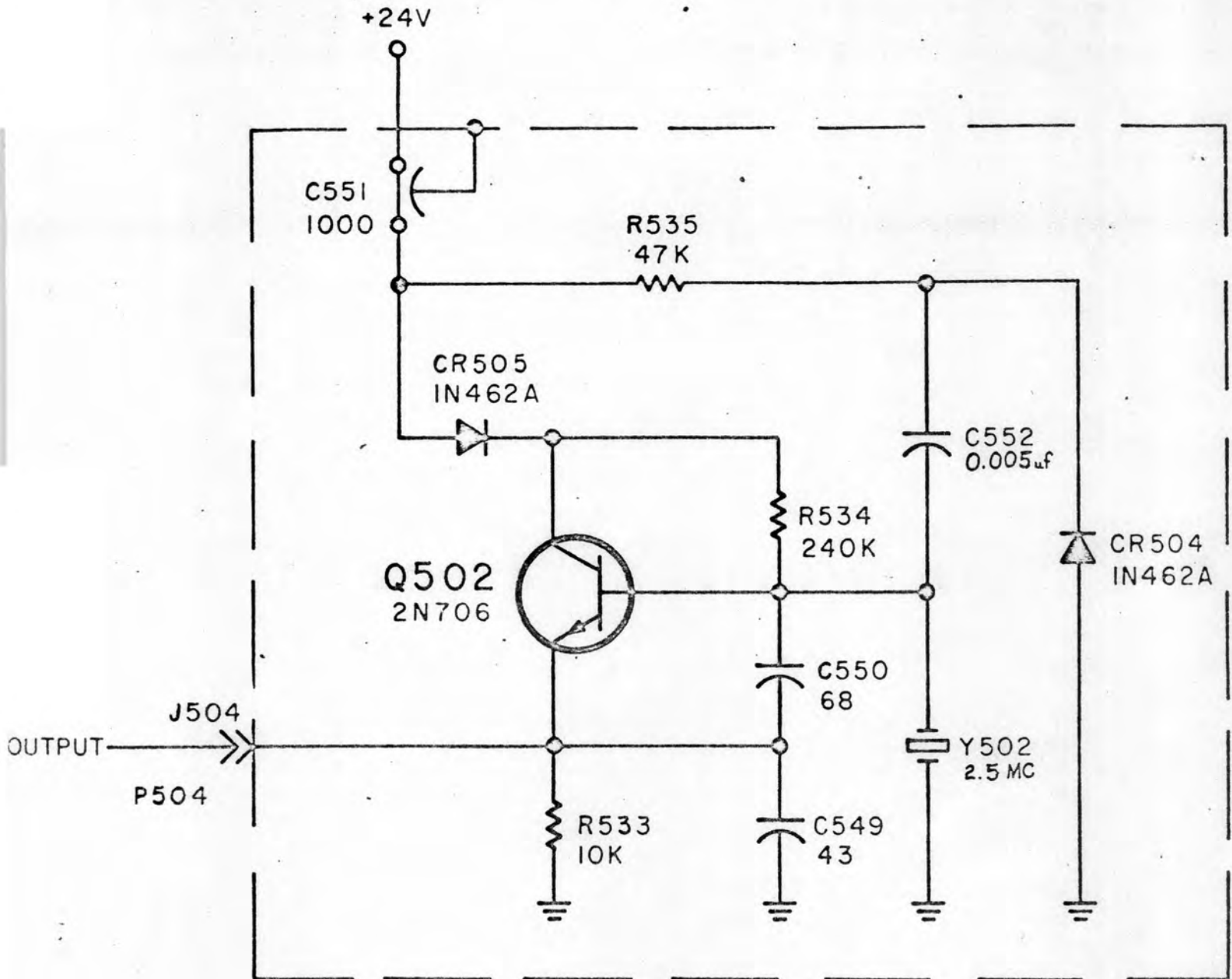


NOTES:  
 UNLESS OTHERWISE SPECIFIED  
 1. RESISTORS ARE MEASURED IN OHMS,  
 1/4 W, 25%  
 2. CAPACITORS ARE MEASURED IN  $\mu$ F.

Figure 7-5. 40/75-KC Bandwidth IF Strip Schematic FOR OFFICIAL USE ONLY



Courtesy of <http://BlackRadios.terryo.org>



NOTES

UNLESS OTHERWISE SPECIFIED:

a) RESISTANCE IS MEASURED IN OHMS,  $\pm 5\%$ , 1/4W.

b) CAPACITANCE IS MEASURED IN pf.

Figure 7-6. BFO Schematic  
FOR OFFICIAL USE ONLY

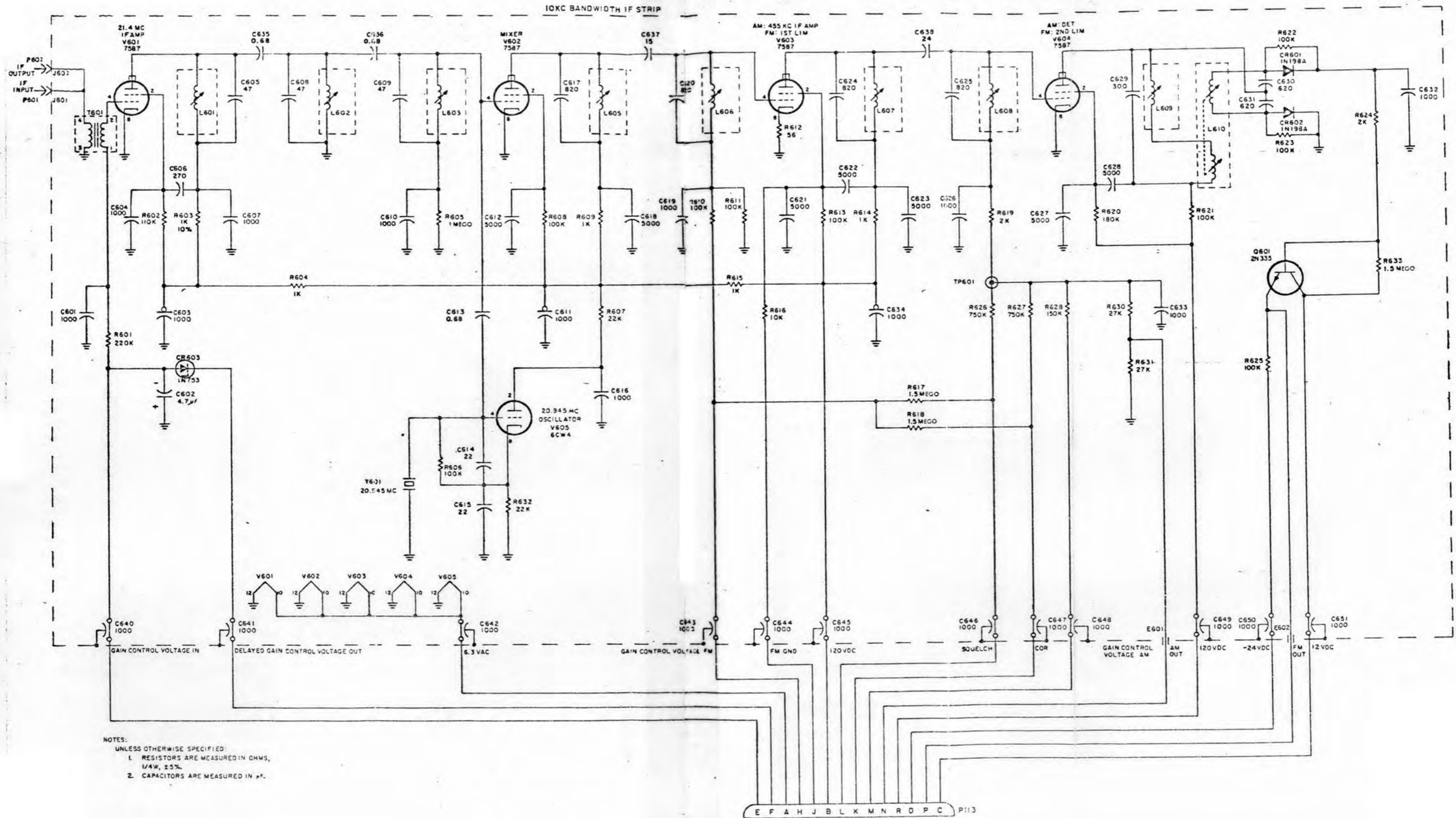
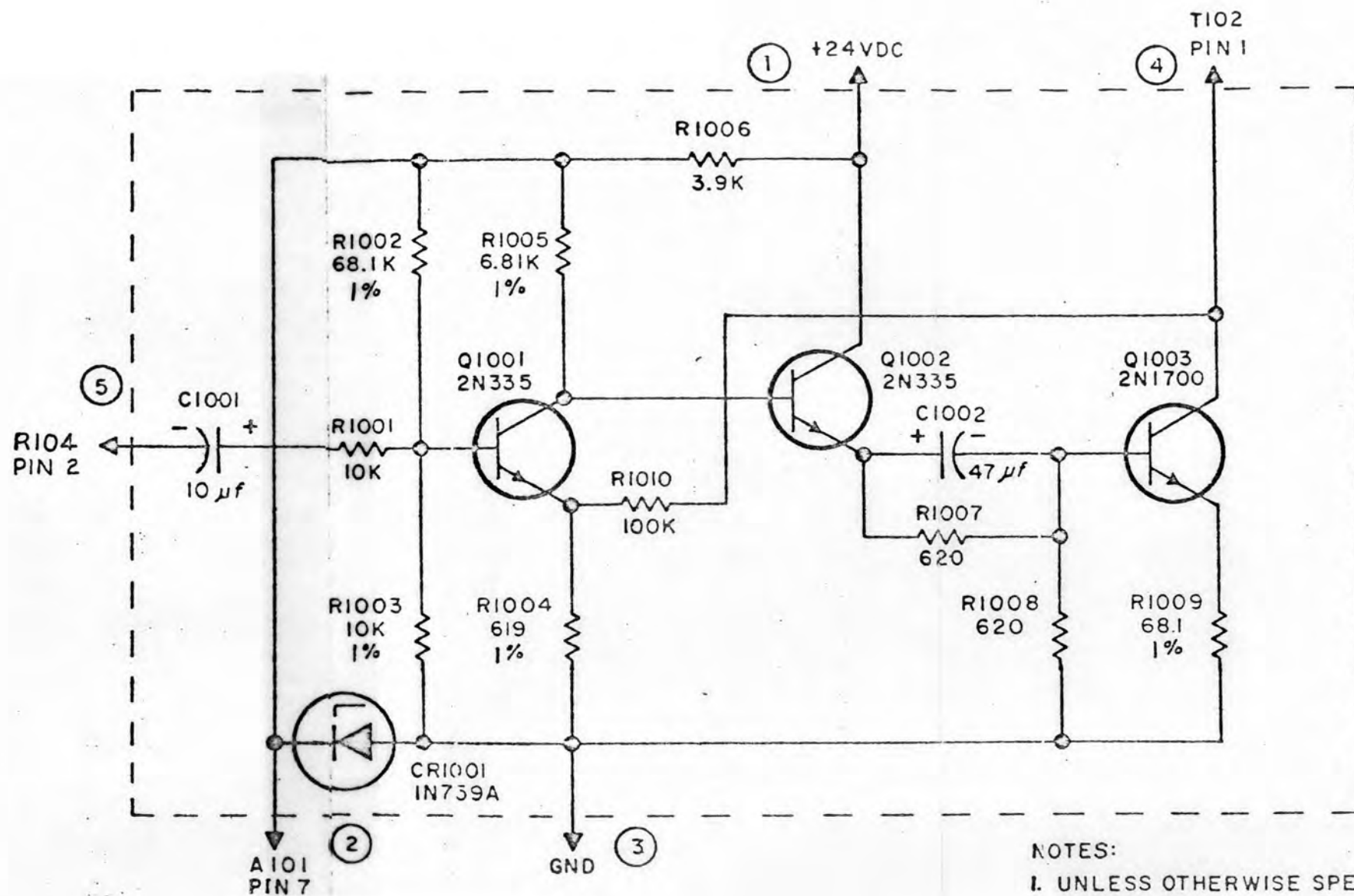


Figure 7-7. 10-KC Bandwidth IF Strip Schematic FOR OFFICIAL USE ONLY

Courtesy of <http://BlackRadios.terryo.org>

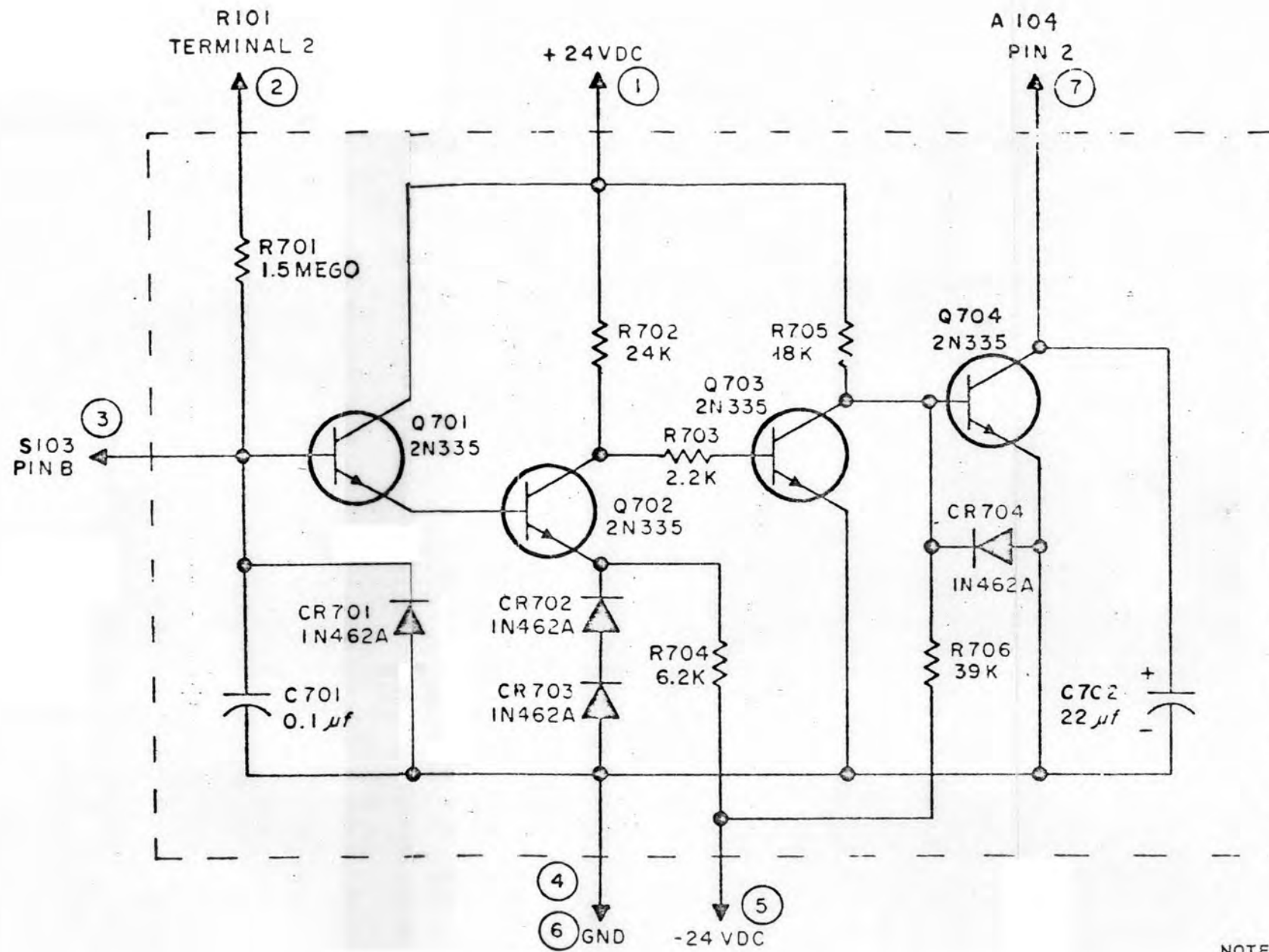


## NOTES:

1. UNLESS OTHERWISE SPECIFIED:  
RESISTORS ARE IN OHMS,  
1/4 W,  $\pm 5\%$ .  
CAPACITORS ARE IN pf.
2. Q1003 UTILIZES A HEAT SINK.
3. MODULE PIN NUMBERS ARE ENCIRCLED.

Figure 7-8. Audio Module Schematic  
FOR OFFICIAL USE ONLY

Courtesy of <http://BlackRadios.terryo.org>



## NOTES:

1. UNLESS OTHERWISE SPECIFIED:  
RESISTORS ARE IN OHMS, 1/4 W, ±5%.  
CAPACITORS ARE MEASURED IN pF.
2. MODULE PIN NUMBERS ARE  
ENCIRCLED.

Figure 7-9. Squelch Module Schematic  
FOR OFFICIAL USE ONLY