

# G175H RECEIVER BLOCK DIAGRAM

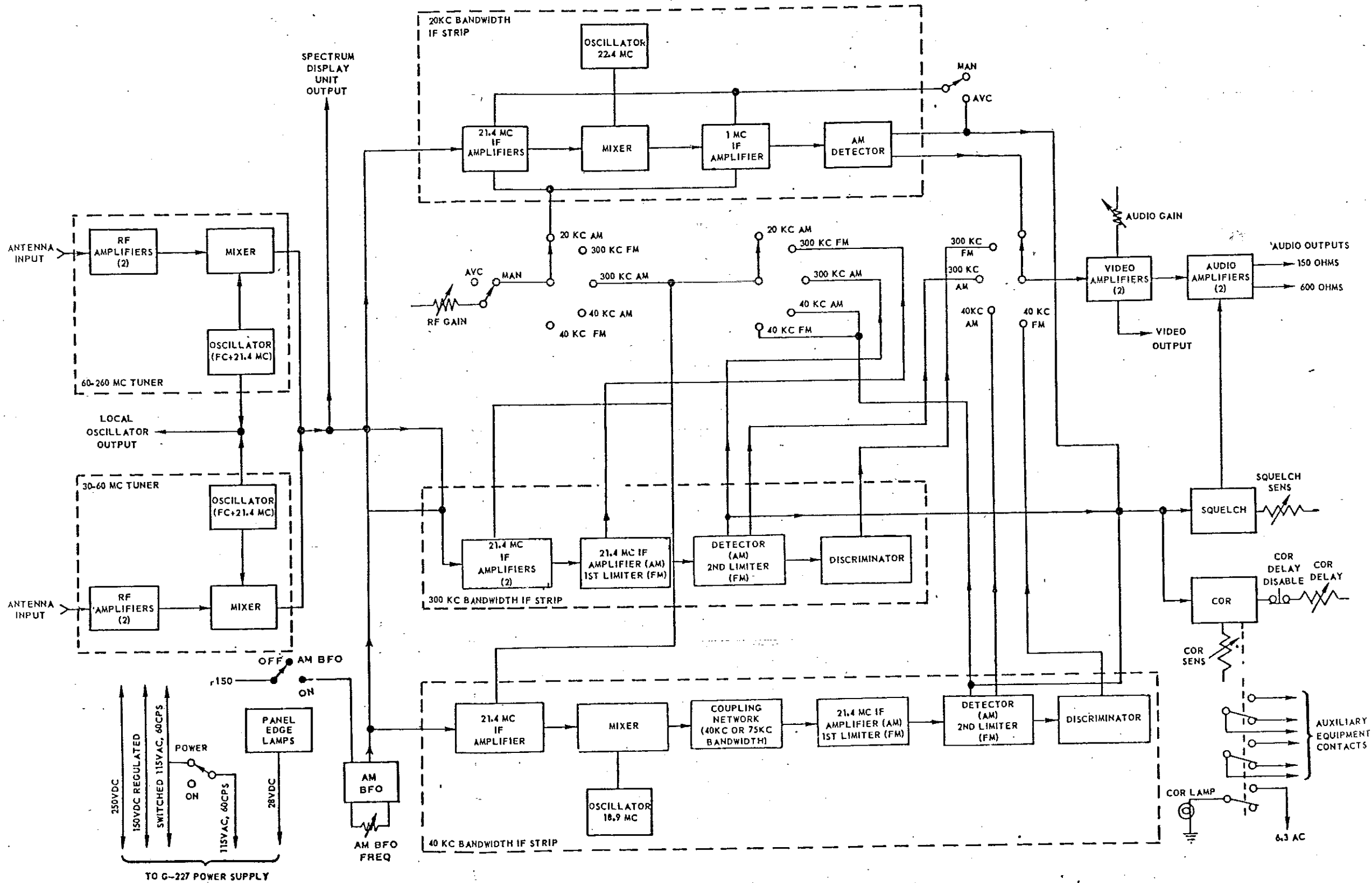
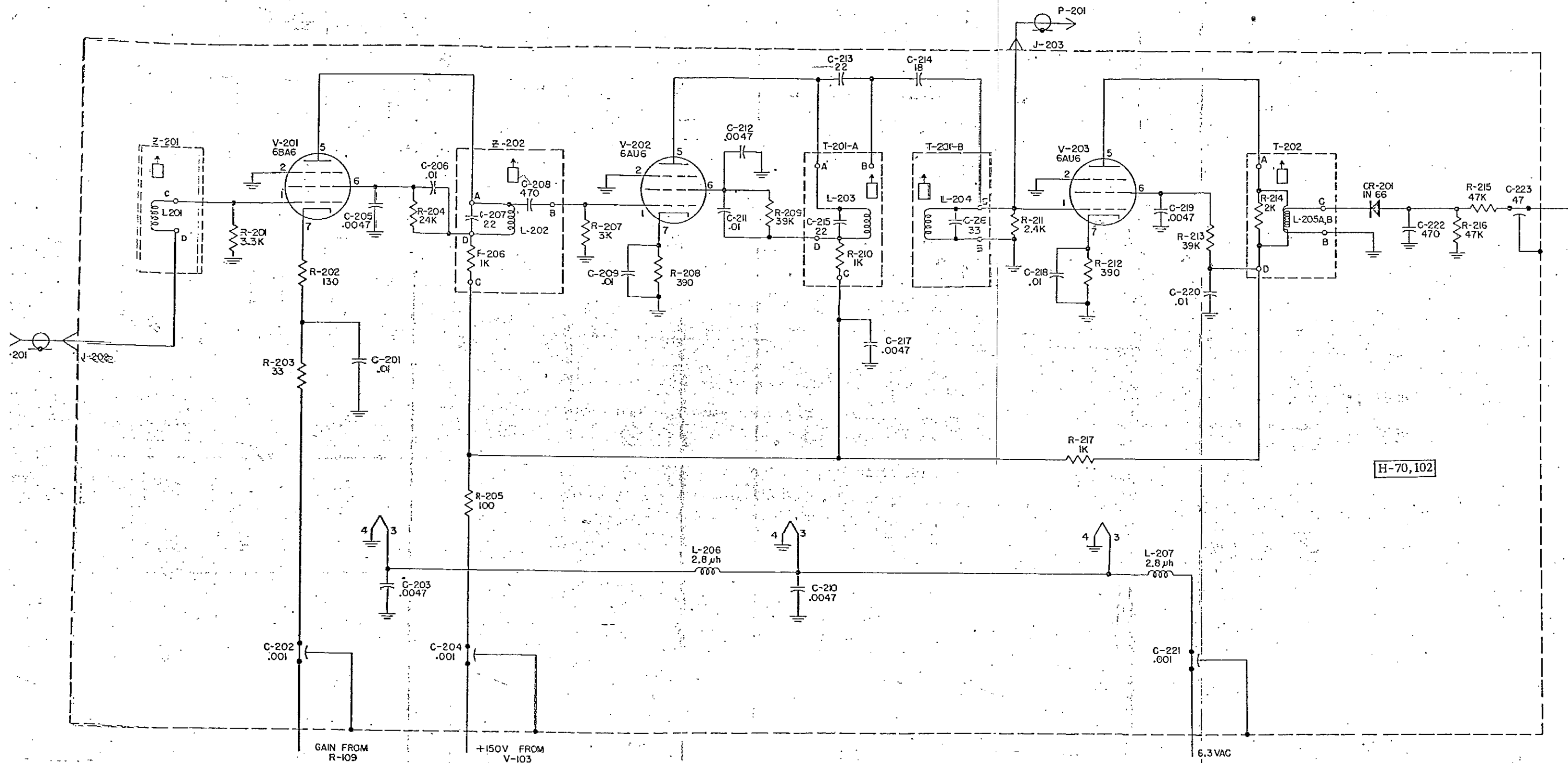


Figure 4-1

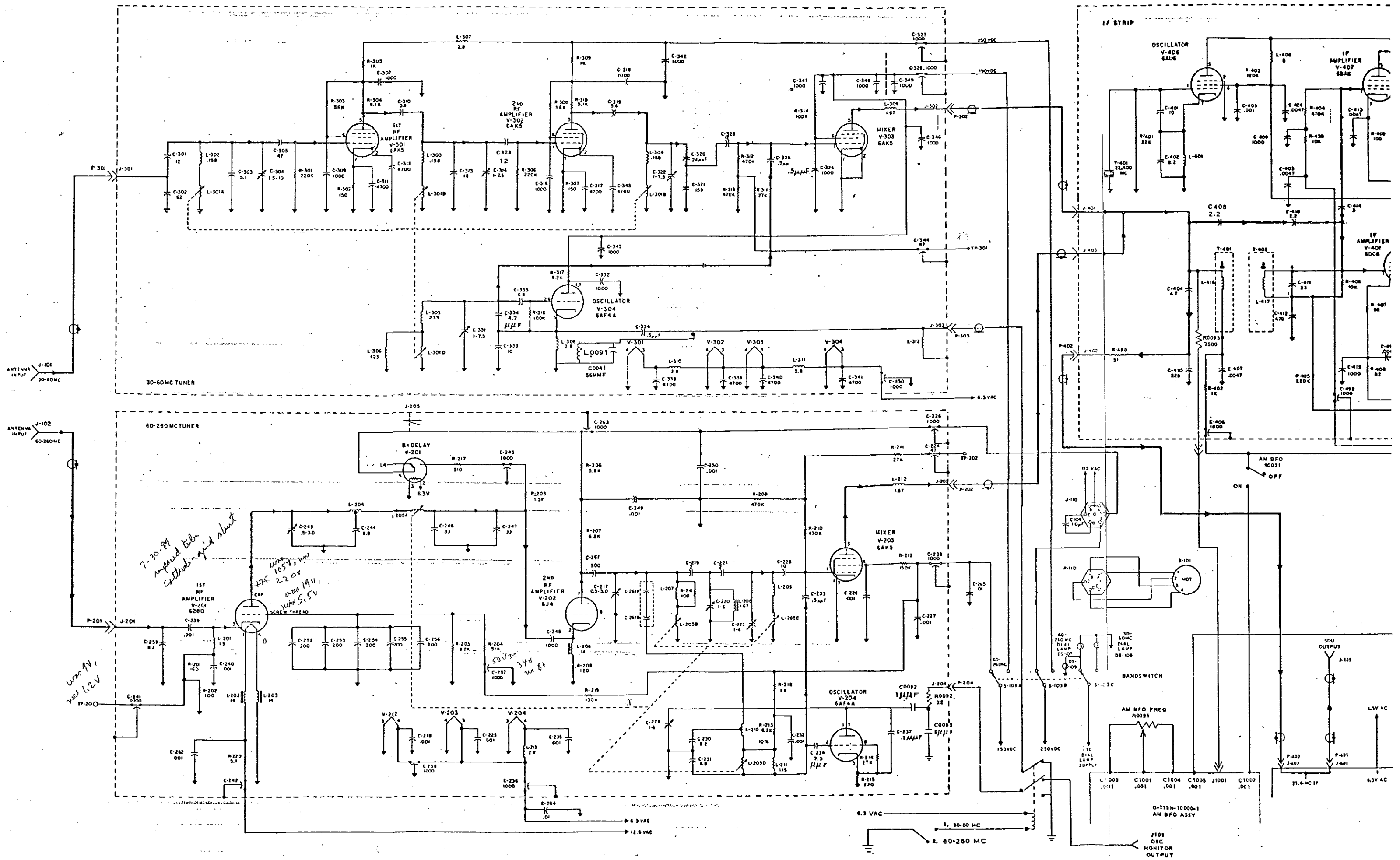
FOR OFFICIAL USE ONLY



H-70, 102

- NOTES:
1. CAPACITORS WITH NUMBERS LESS THAN 1.0 ARE IN MFD.
  2. CAPACITORS WITH NUMBERS MORE THAN 1.0 ARE IN MMFD.
  3. TOLERANCES AND RATINGS OF COMPONENTS NOT INDICATED.

Figure 11C. Schematic Diagram, 30 MC I.F. Amplifier, Spectrum Display Units (SDU-300-5)



7-30-89  
replaced tube  
cathodes in grid about

105V  
22 0V  
19V  
5.5V

50VDC  
34V  
1A

1.2V

G-175H-10000-1  
AM BFO ASSY

J109  
OSC  
MONITOR  
OUTPUT

31.6-MC IF

6.3V AC

50W OUTPUT

AM BFO FREQ

ON OFF

115 VAC

6.3 VAC

250VDC

190VDC

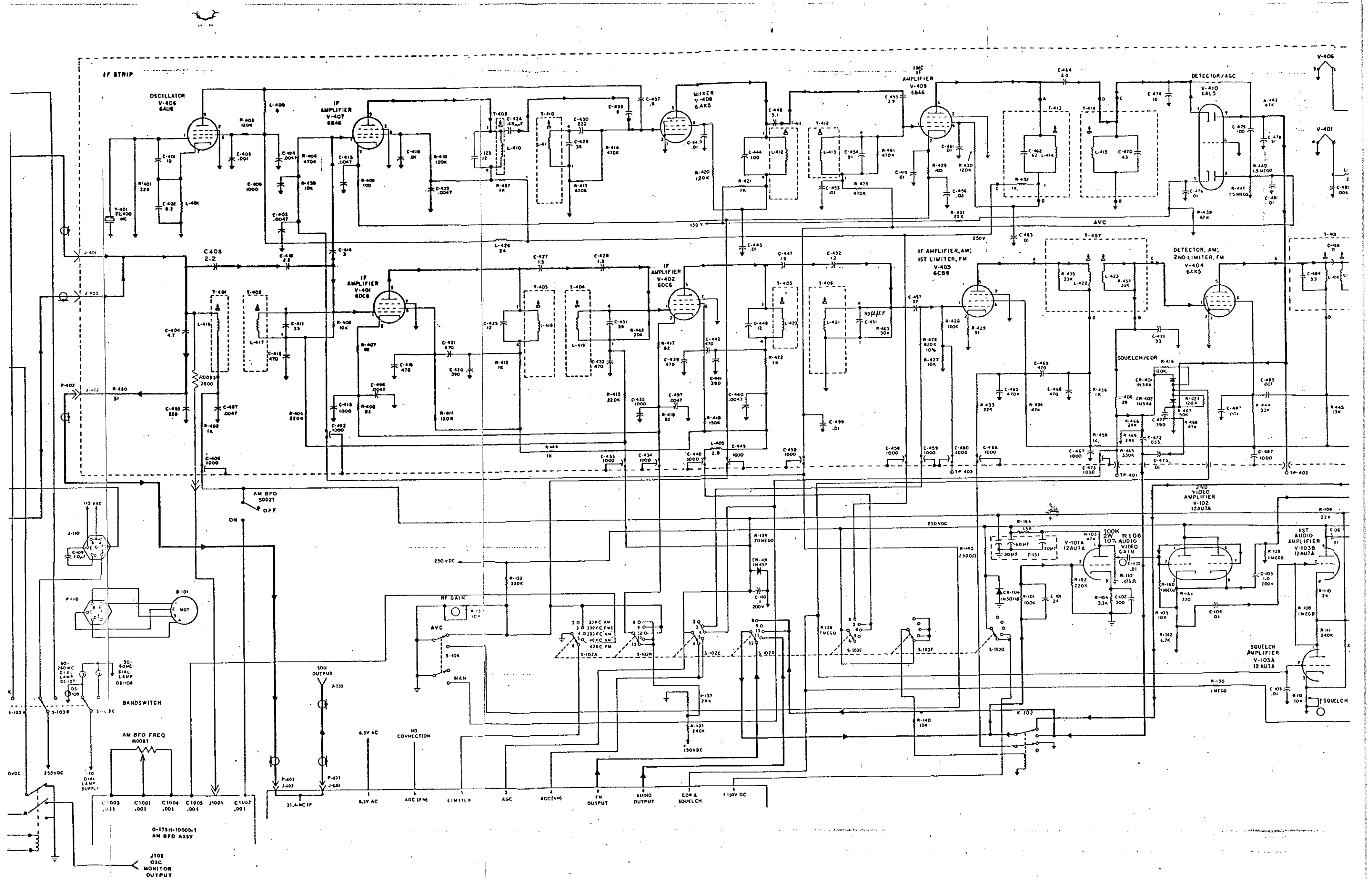
750VDC

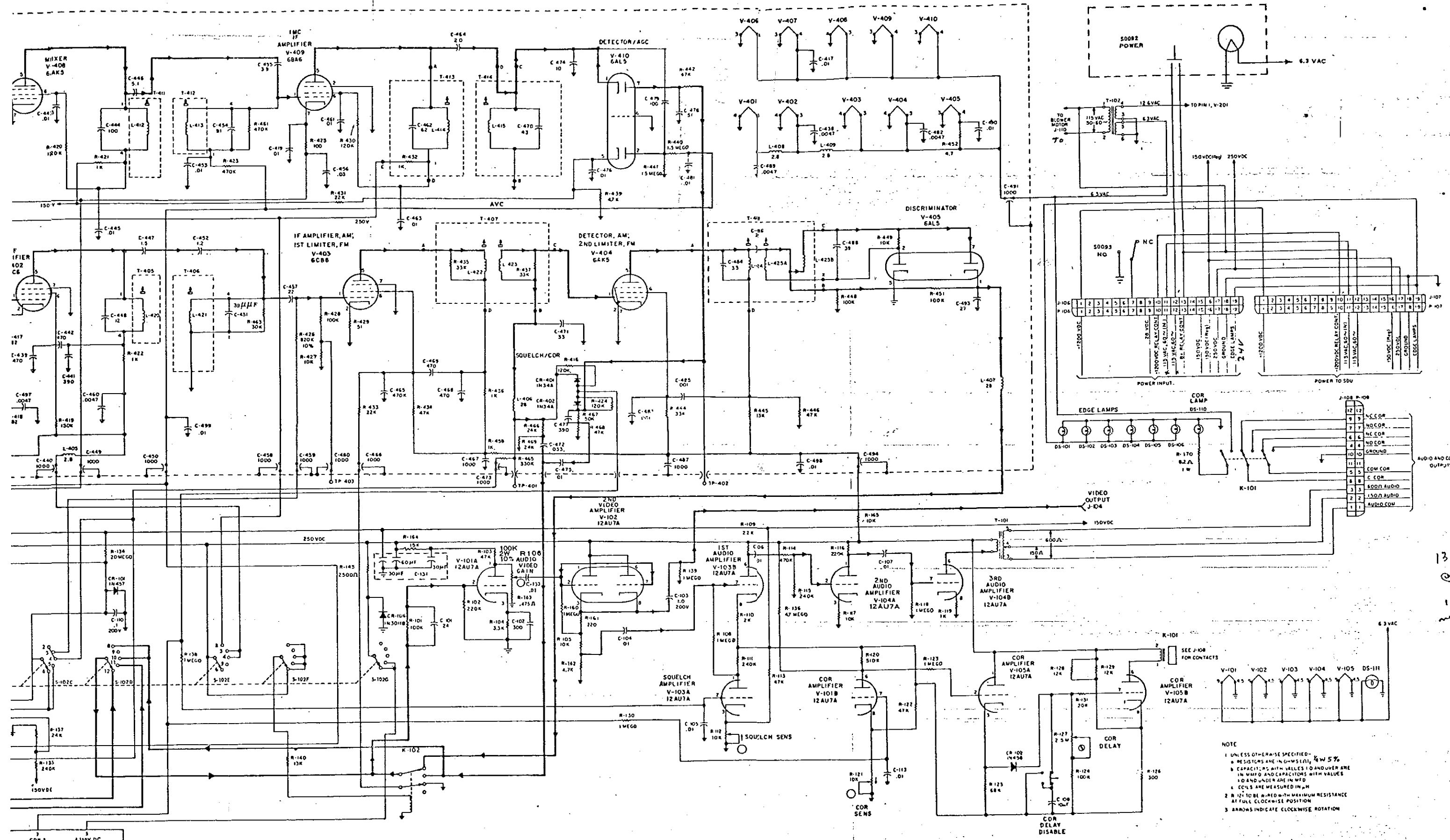
6.3 VAC

6.3 VAC

6.3 VAC

6.3 VAC





136mm  
@ 250V  
15716  
mech 150V

Figure 7-1. G175H Receiver Schematic  
FOR OFFICIAL USE ONLY

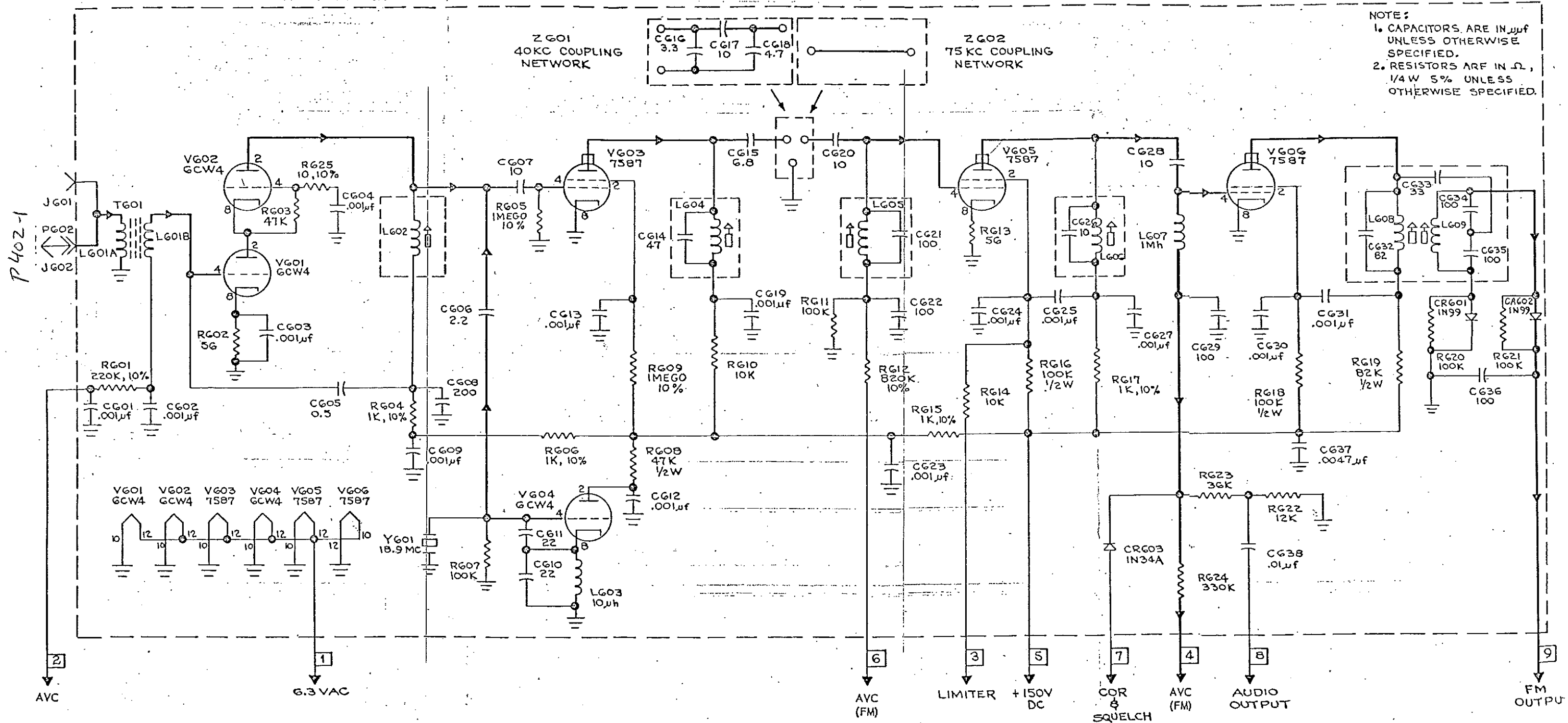
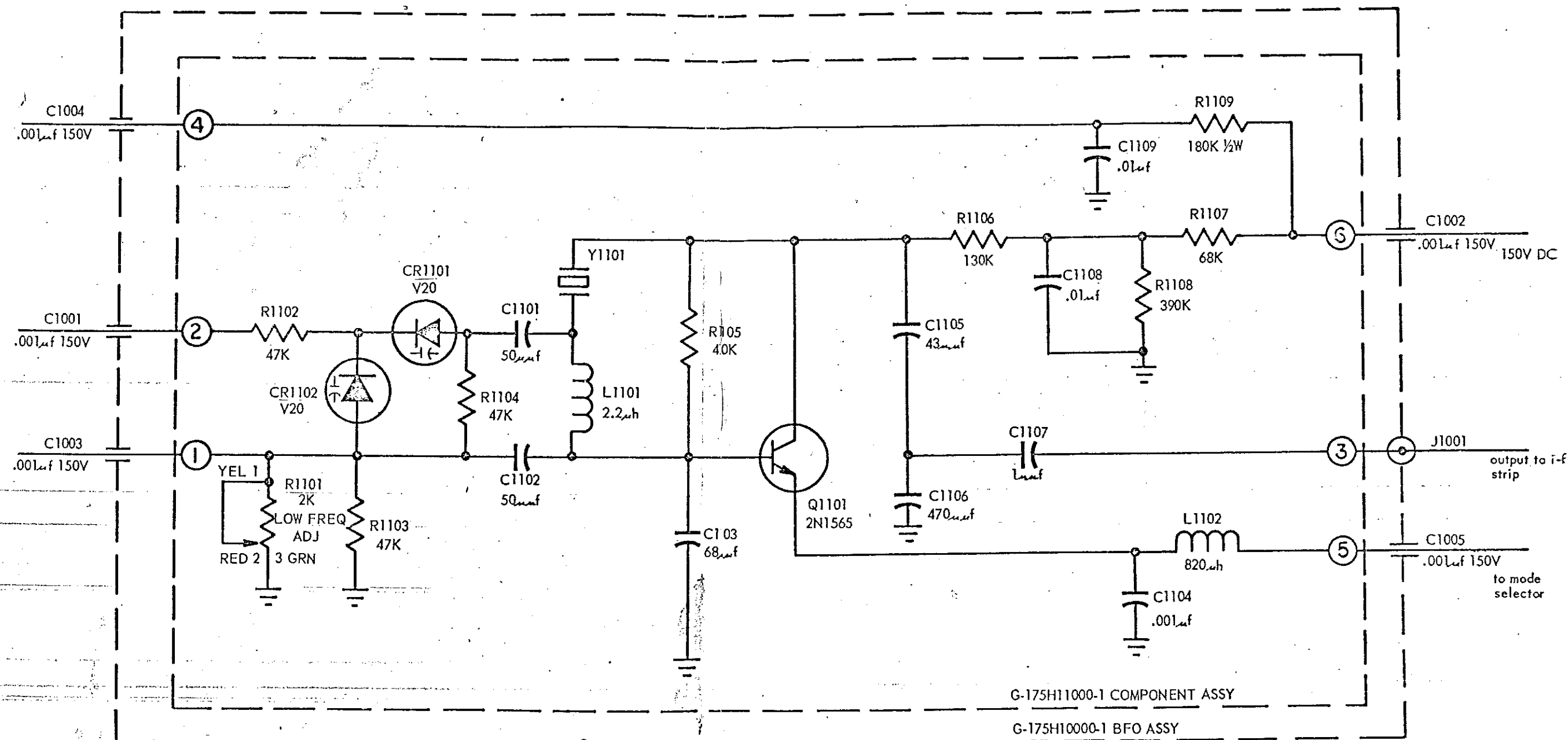


Figure 7-2. 40-KC I-F Strip Schematic  
FOR OFFICIAL USE ONLY



NOTE:  
1. Unless otherwise specified,  
(a) resistors are in ohms (Ω),  
1/4w ±5%

Figure 7-3. G175H AM BFO Schematic  
FOR OFFICIAL USE ONLY