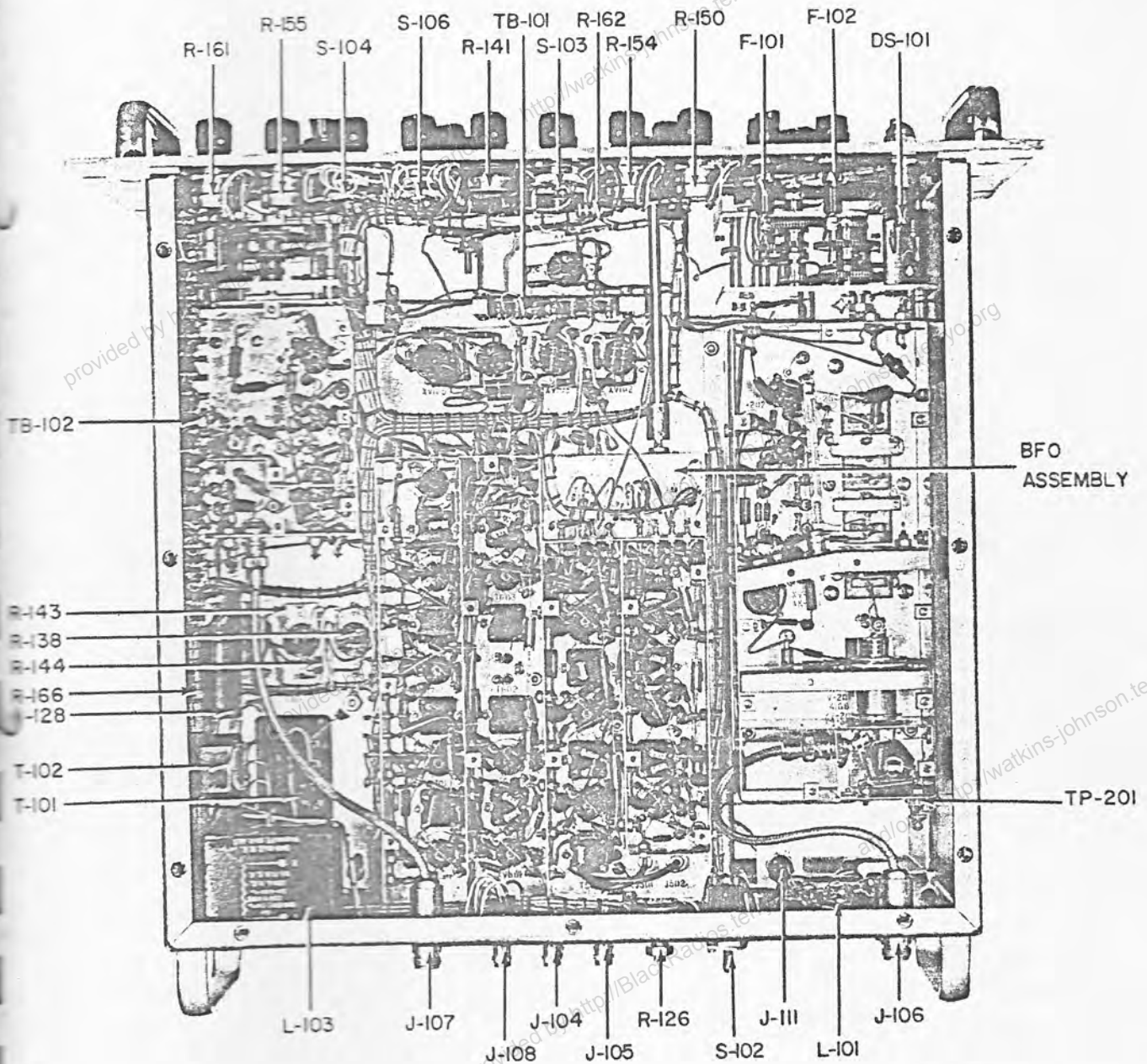


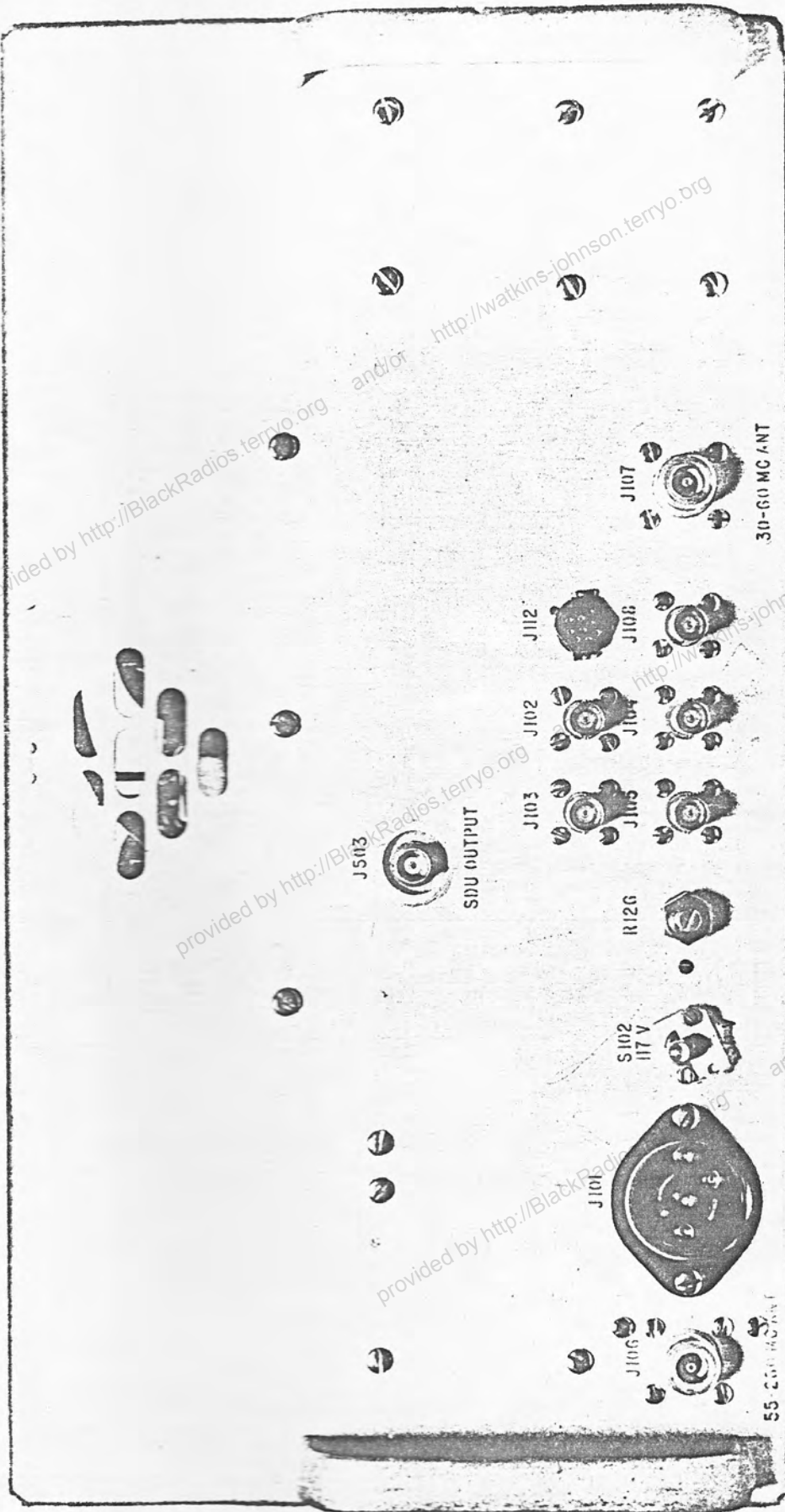
1306-4-2

Figure 4-2. Top View of Receiver (dust cover removed)



1306-4-3

Figure 4-3. Bottom View of Receiver (dust cover removed)



1306-4-4

Figure 4-4. Rear View of Receiver

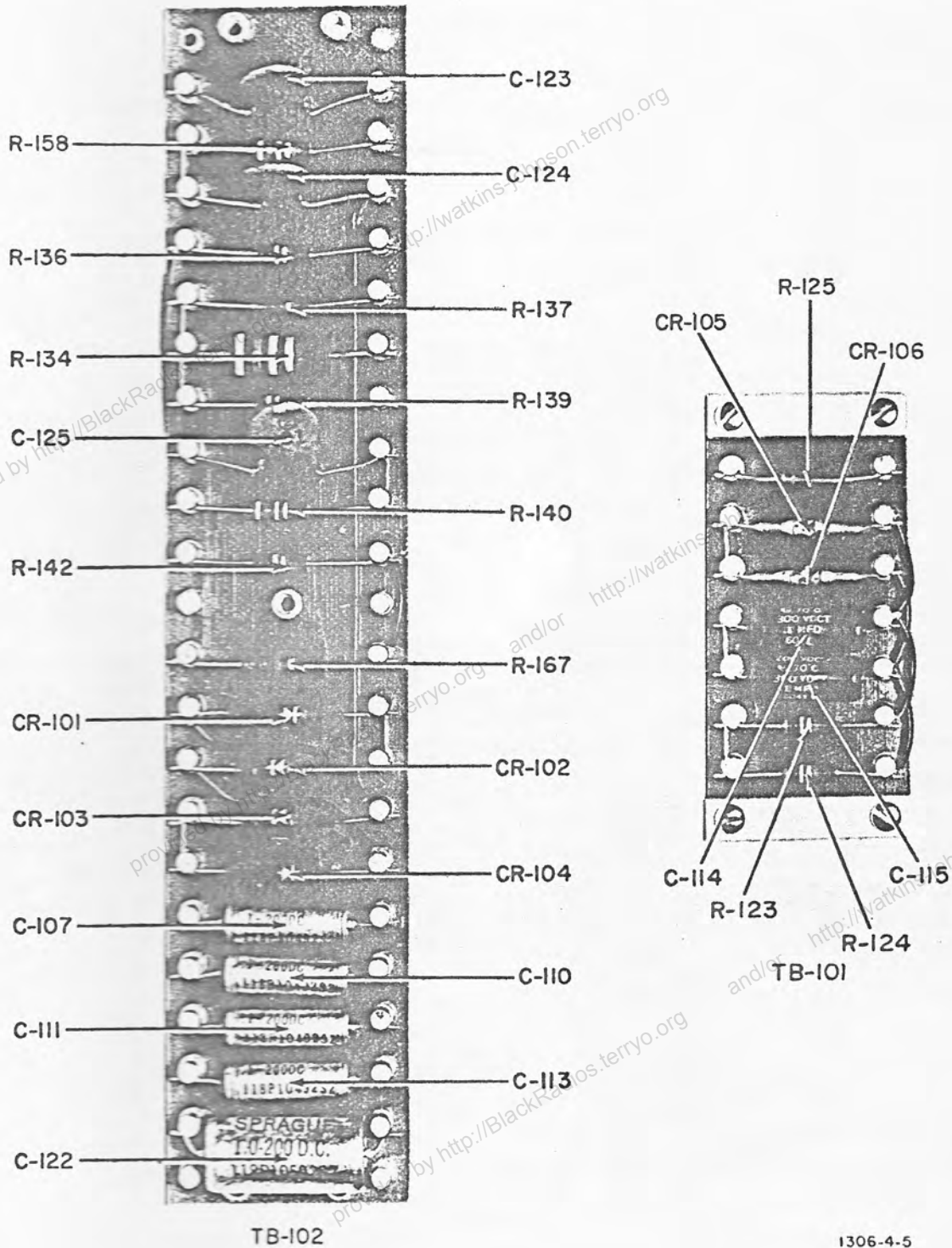


Figure 4-5. Receiver Terminal Boards

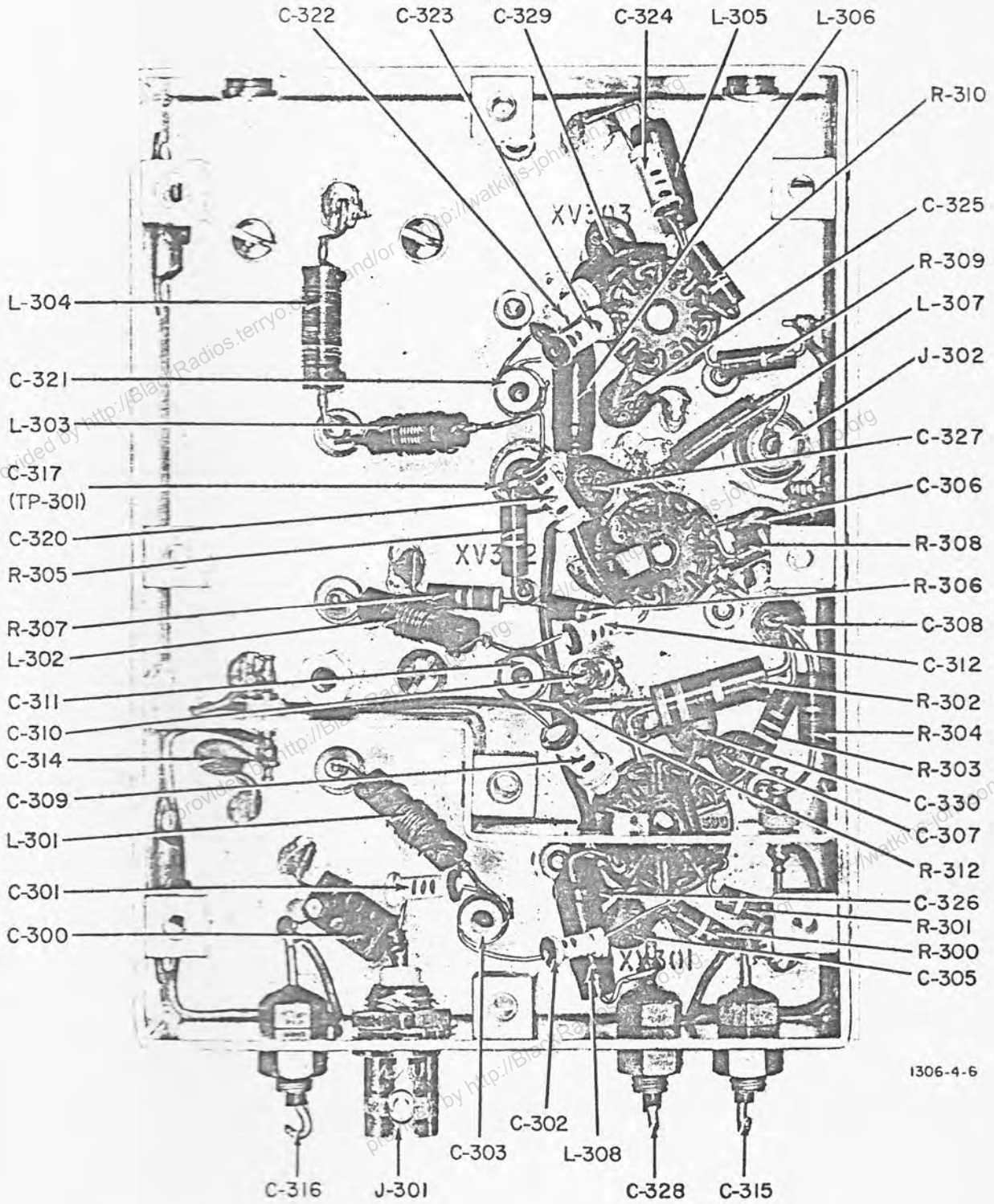


Figure 4-6. 30-60 mc RF Tuner (dust cover removed)

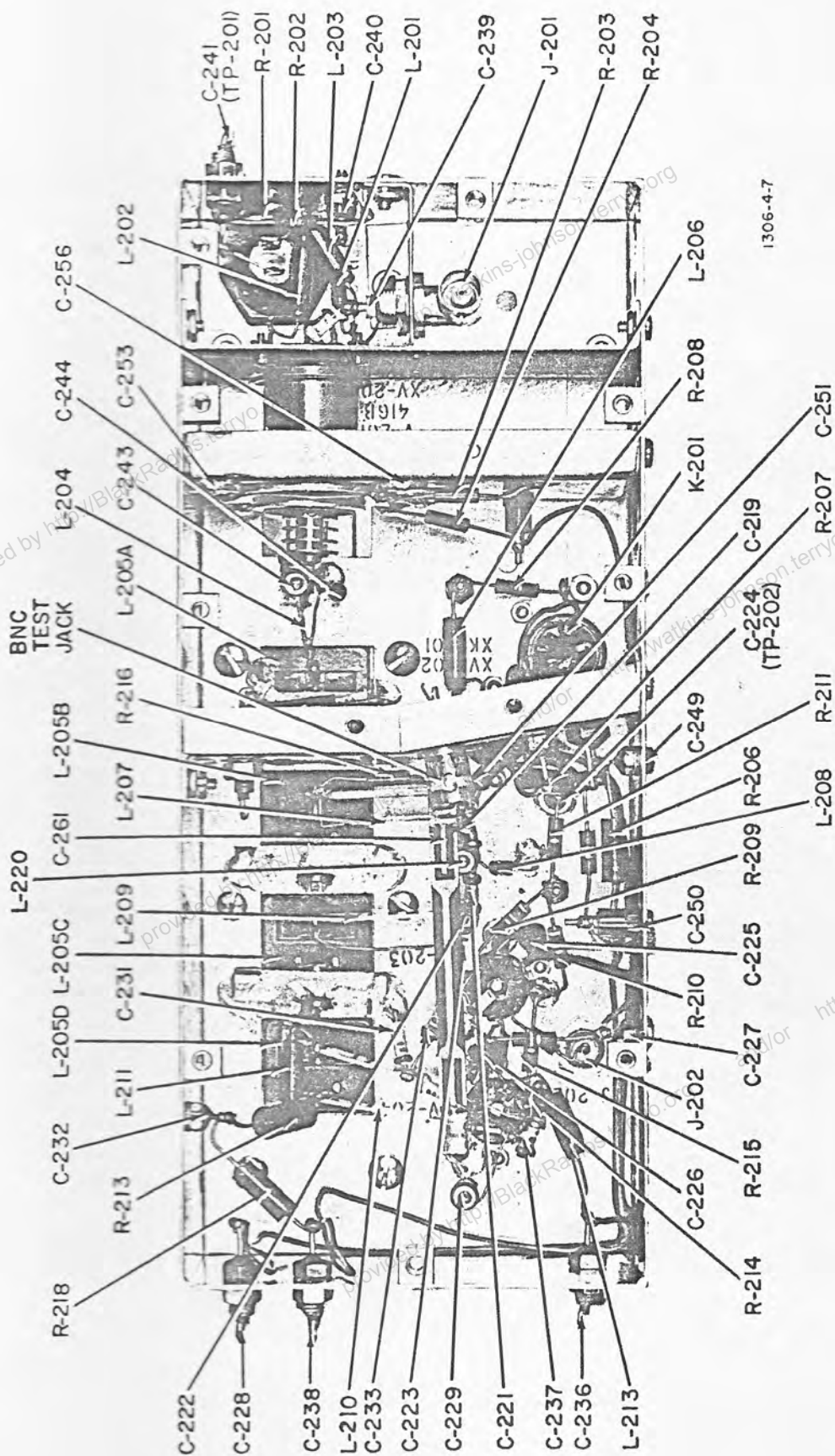
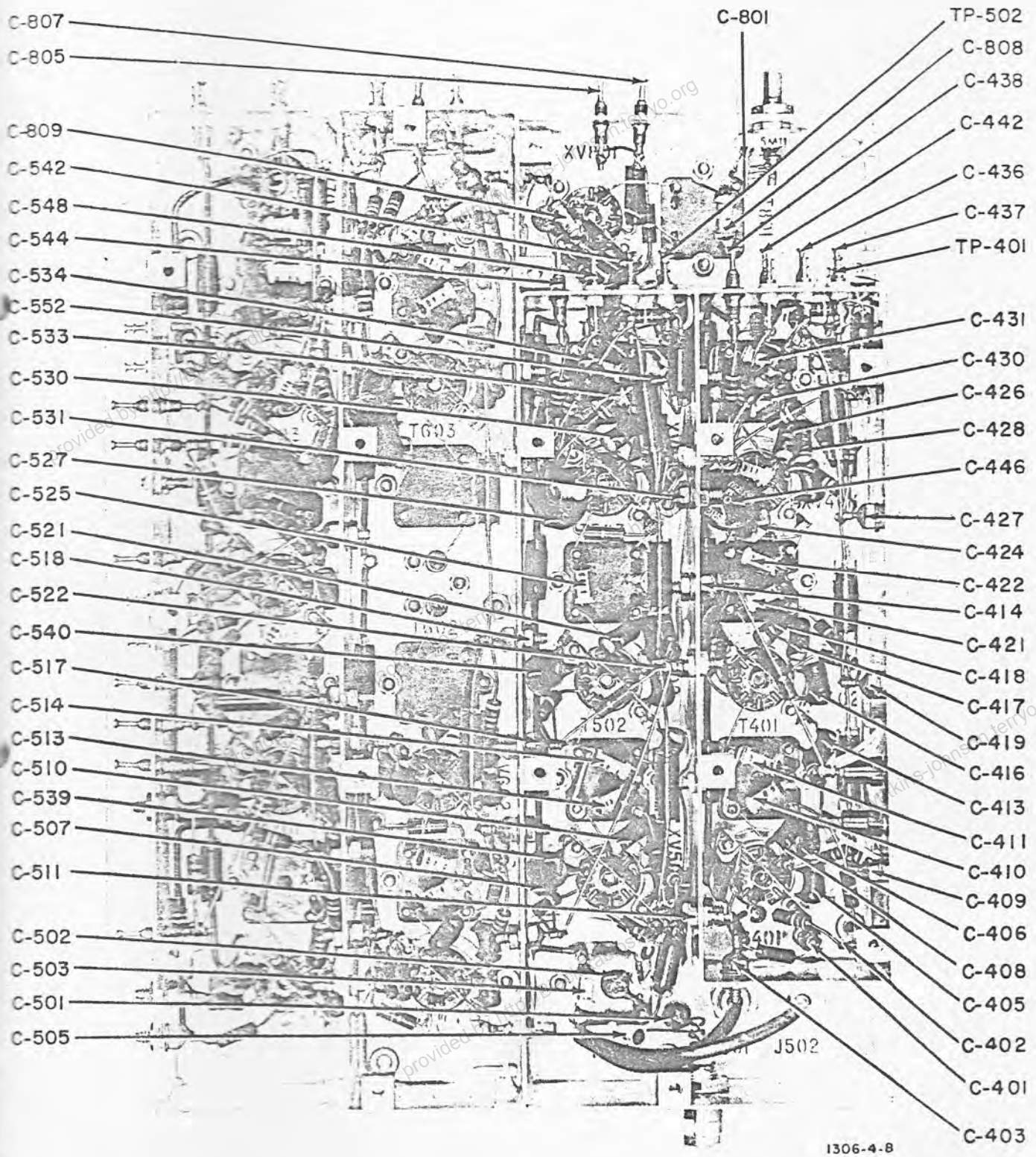


Figure 4-7. 55-260 mc RF Tuner (dust cover removed)

Model 1306 Special Purpose Receiver



1306-4-8

Figure 4-8. 500-kc and 1-mc IF Strips and BFO, Bottom View, Location of Capacitors and Test Points

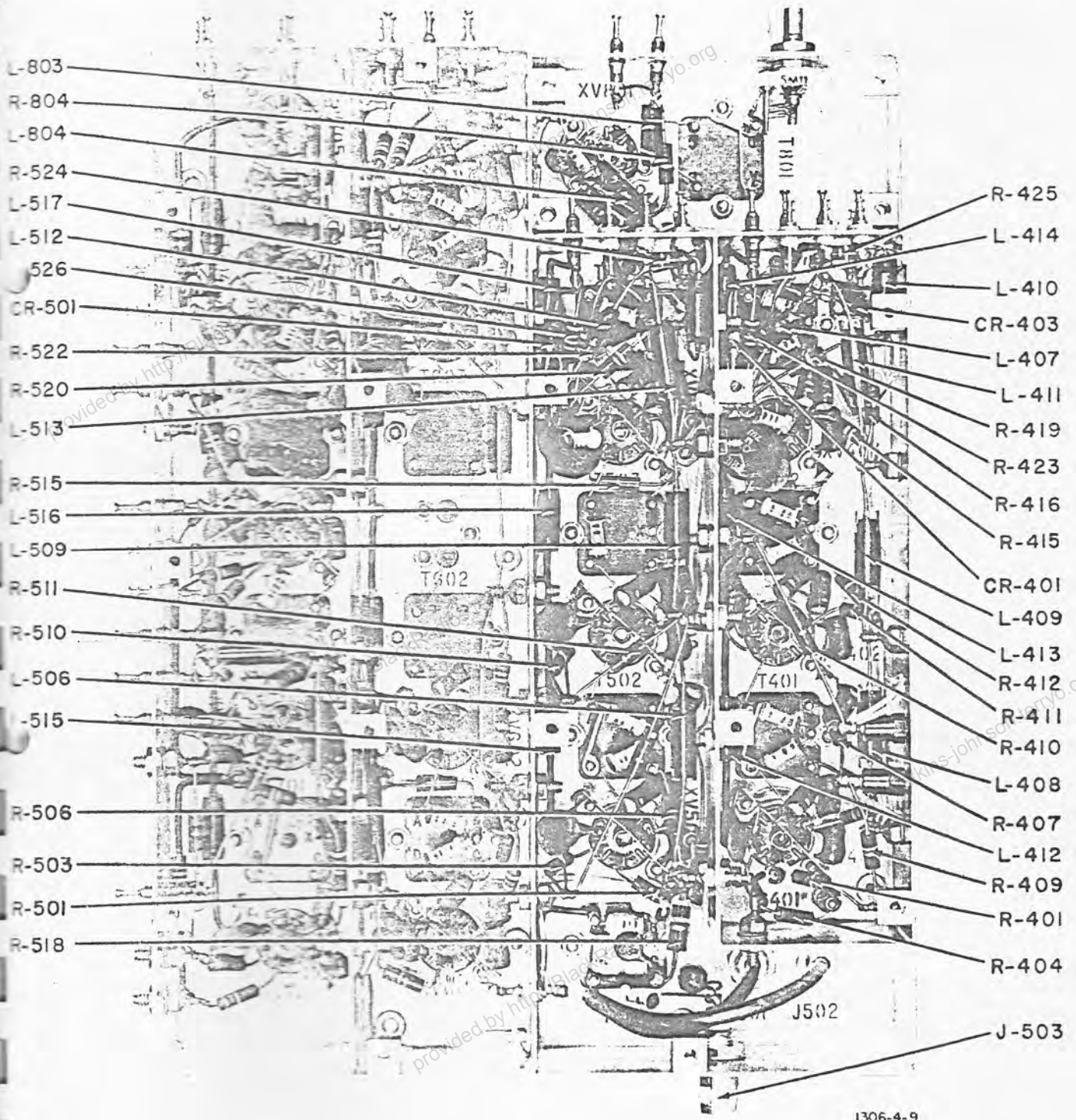
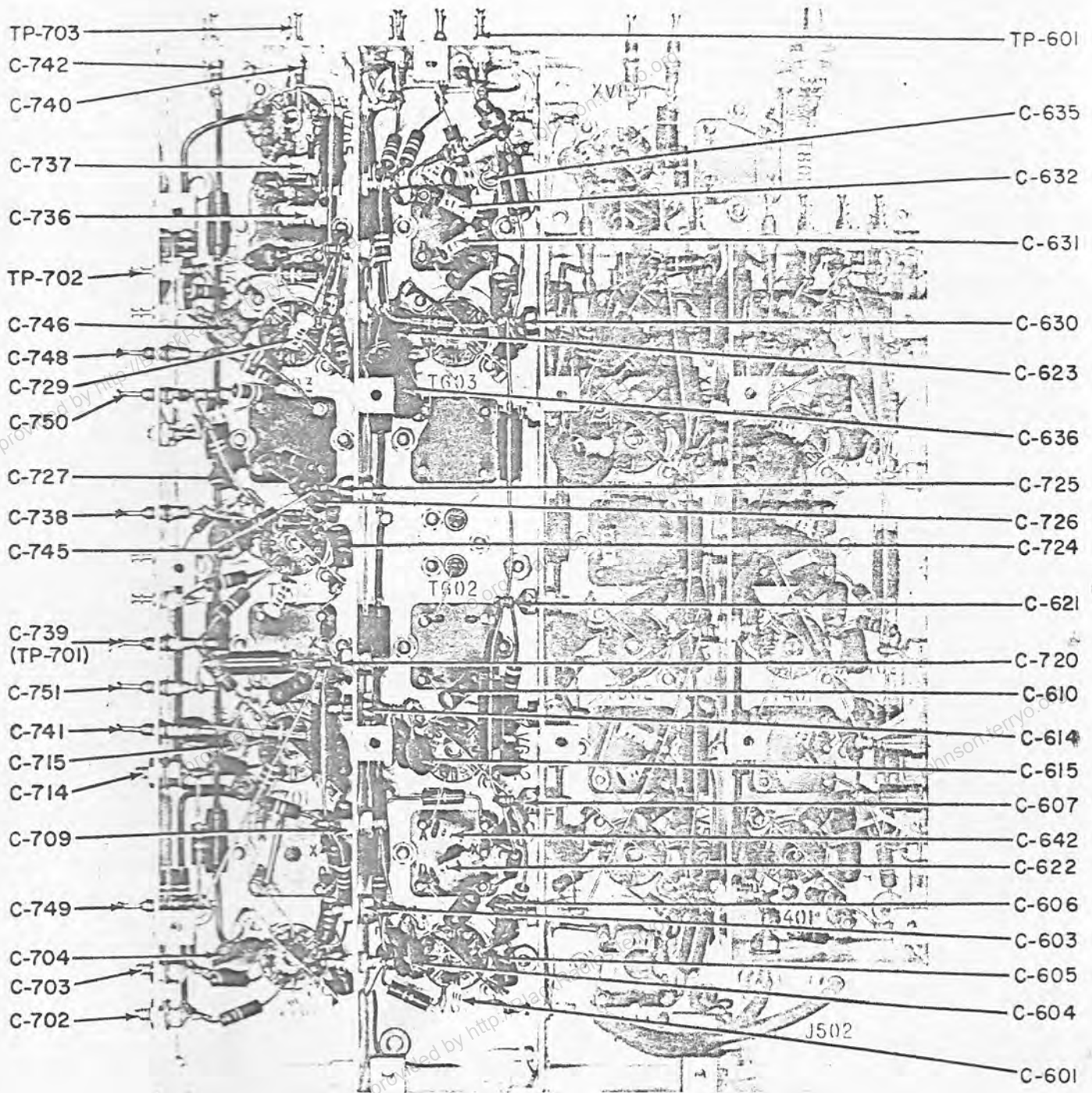
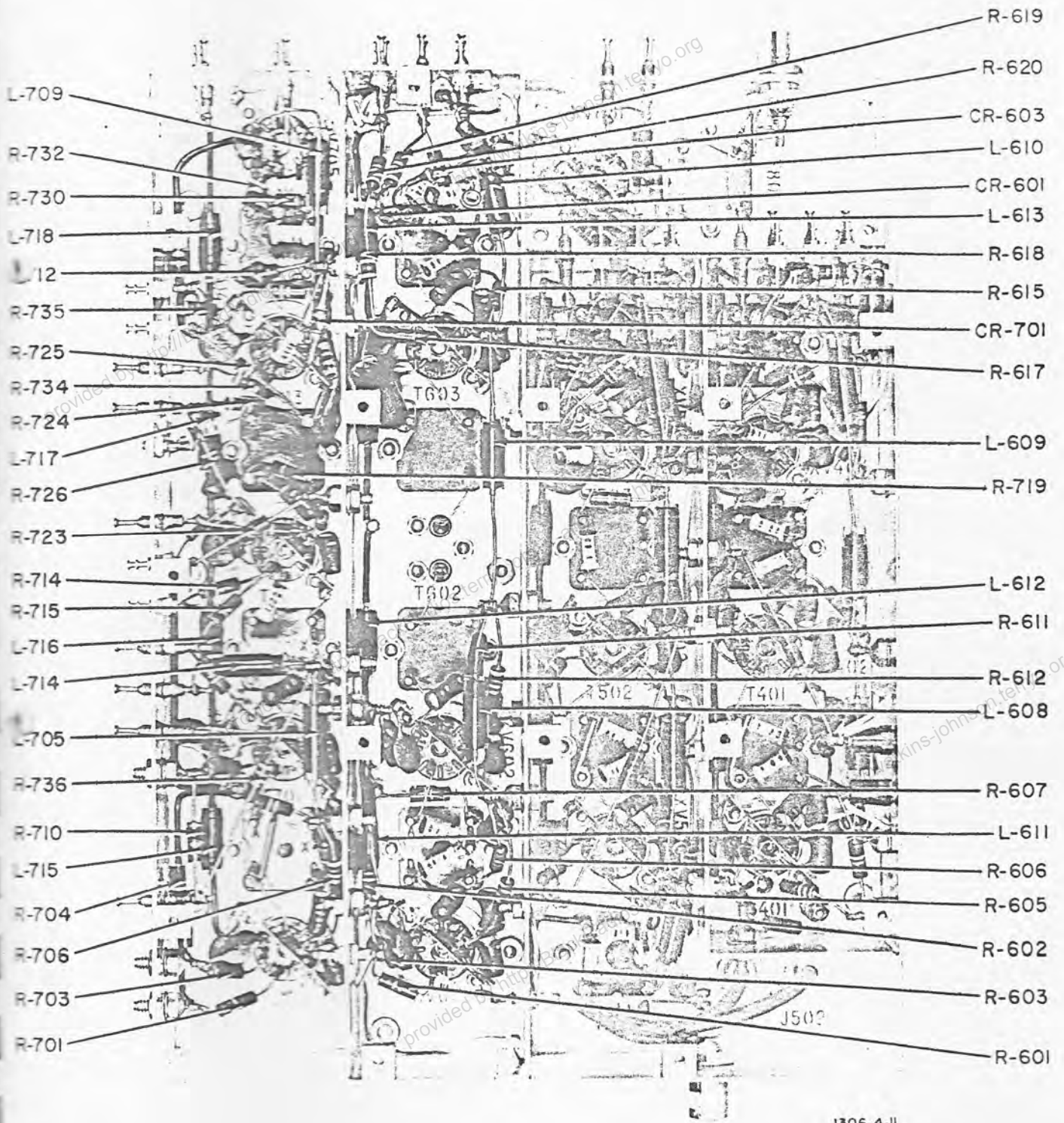


Figure 4-9. 500-kc and 1-mc IF Strips and BFO, Bottom View, Location of Resistors and Miscellaneous Items



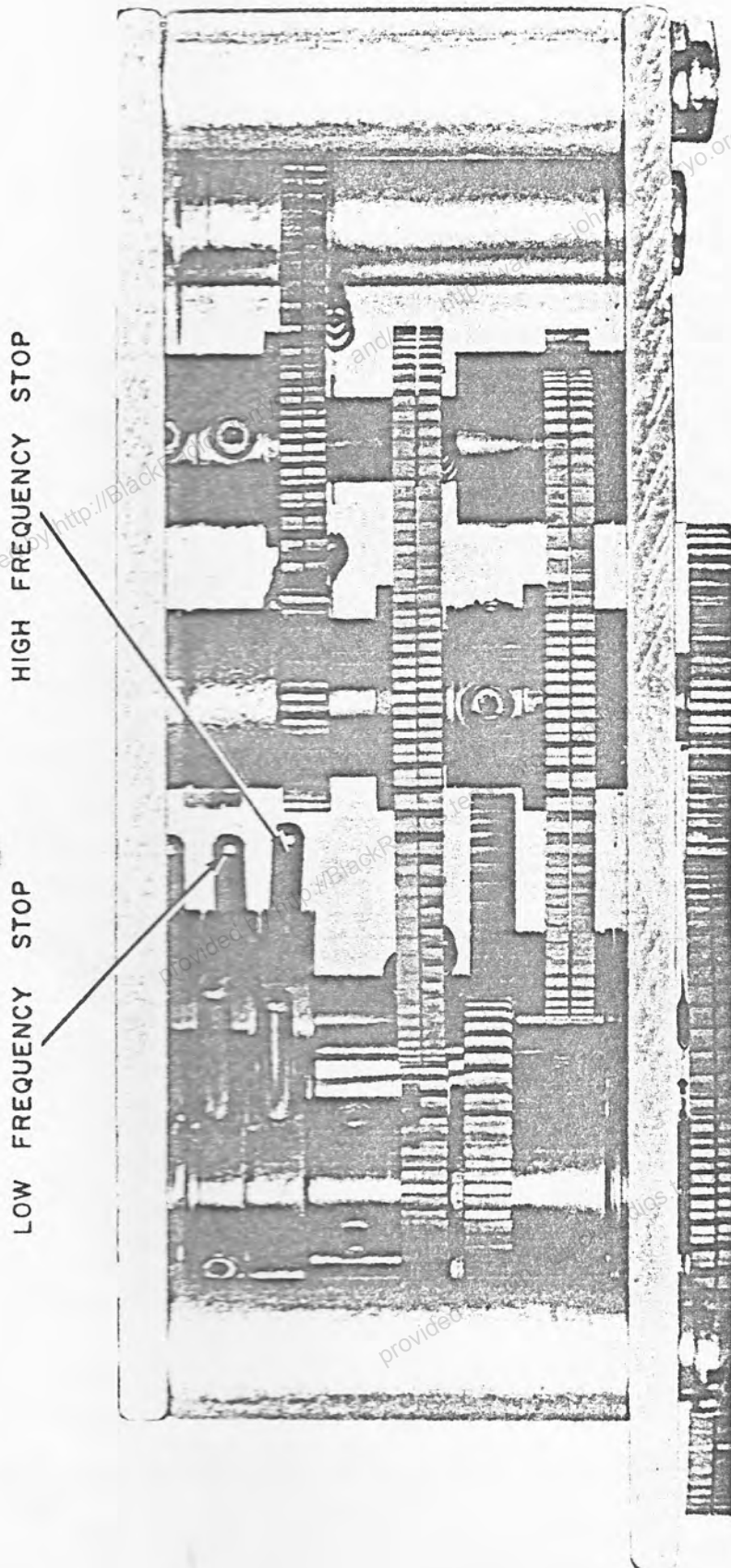
1306-4-10

Figure 4-10. 10-kc and 300-kc IF Strips, Bottom View, Location of Capacitors and Test Points



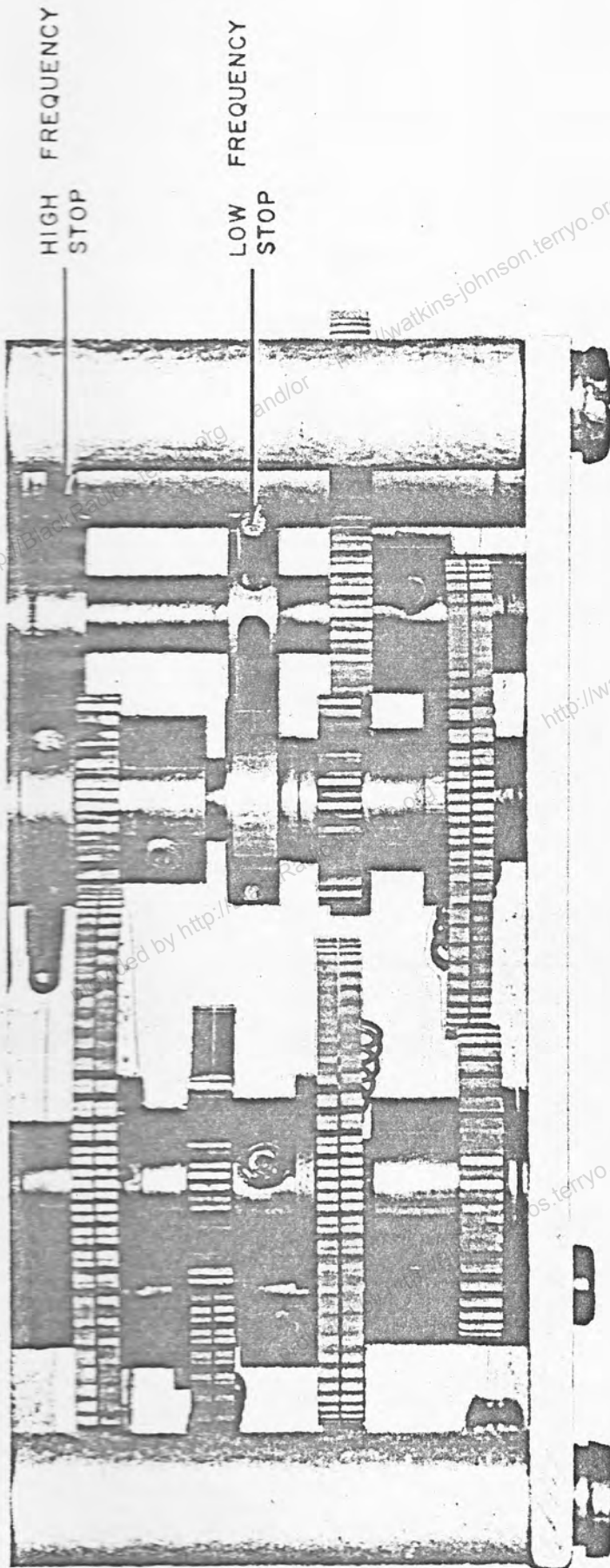
1306-4-11

Figure 4-11. 10-kc and 300-kc IF Strips, Bottom View, Location of Resistors and Miscellaneous Items



1306-4-12

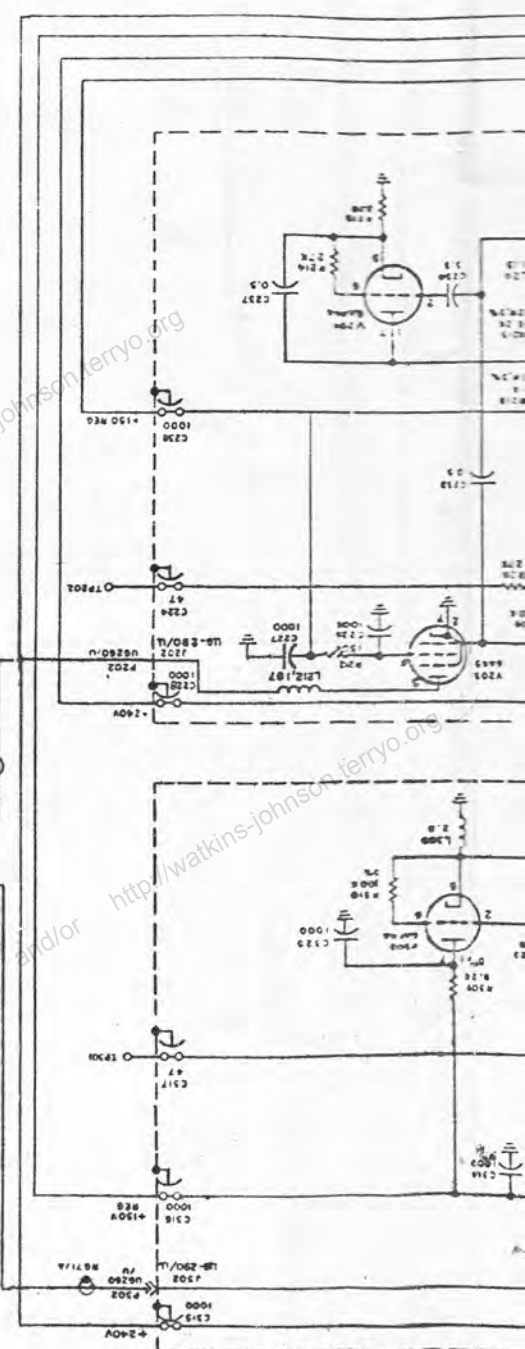
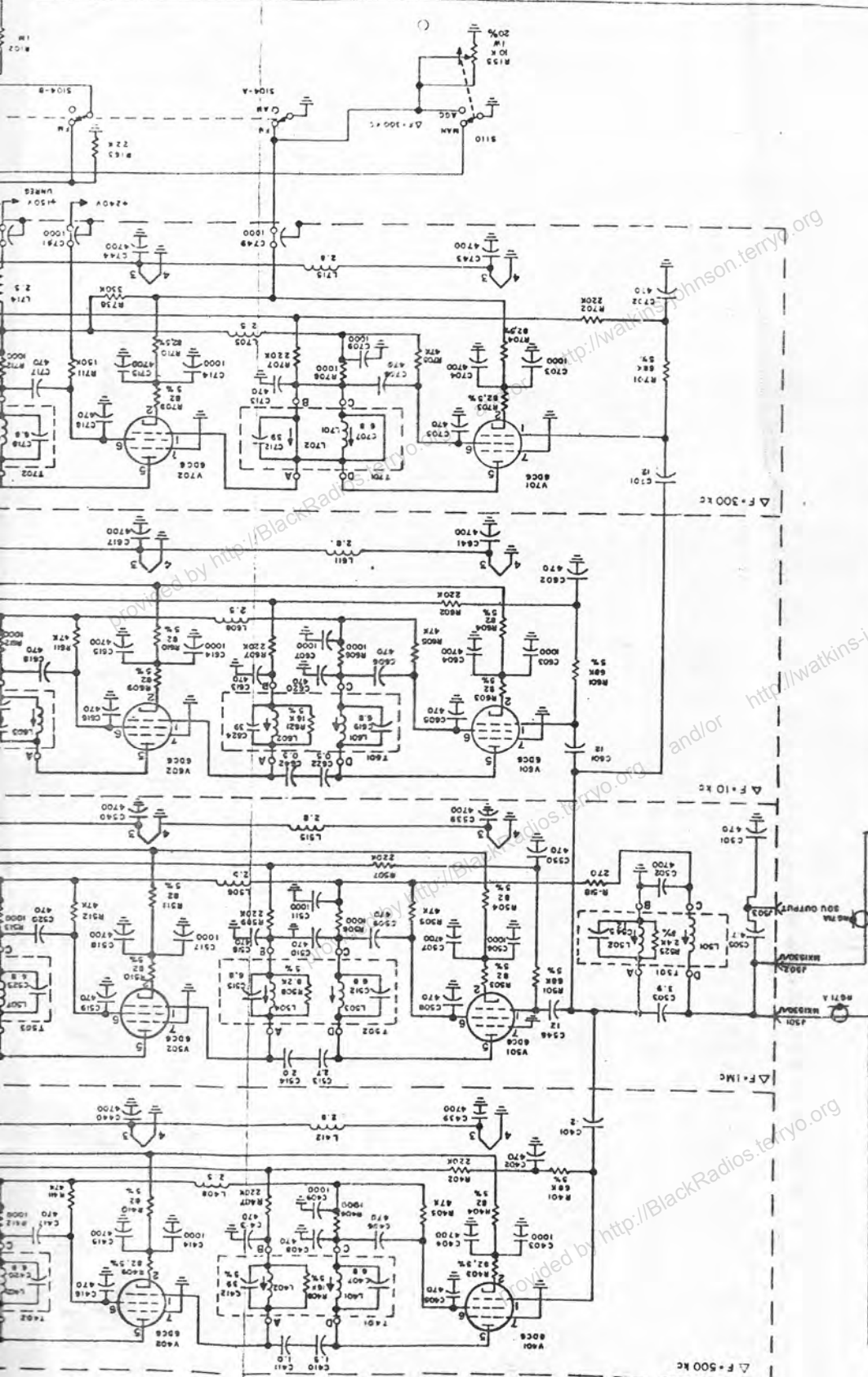
Figure 4-12. 30-60 mc RF Tuner Gear Train

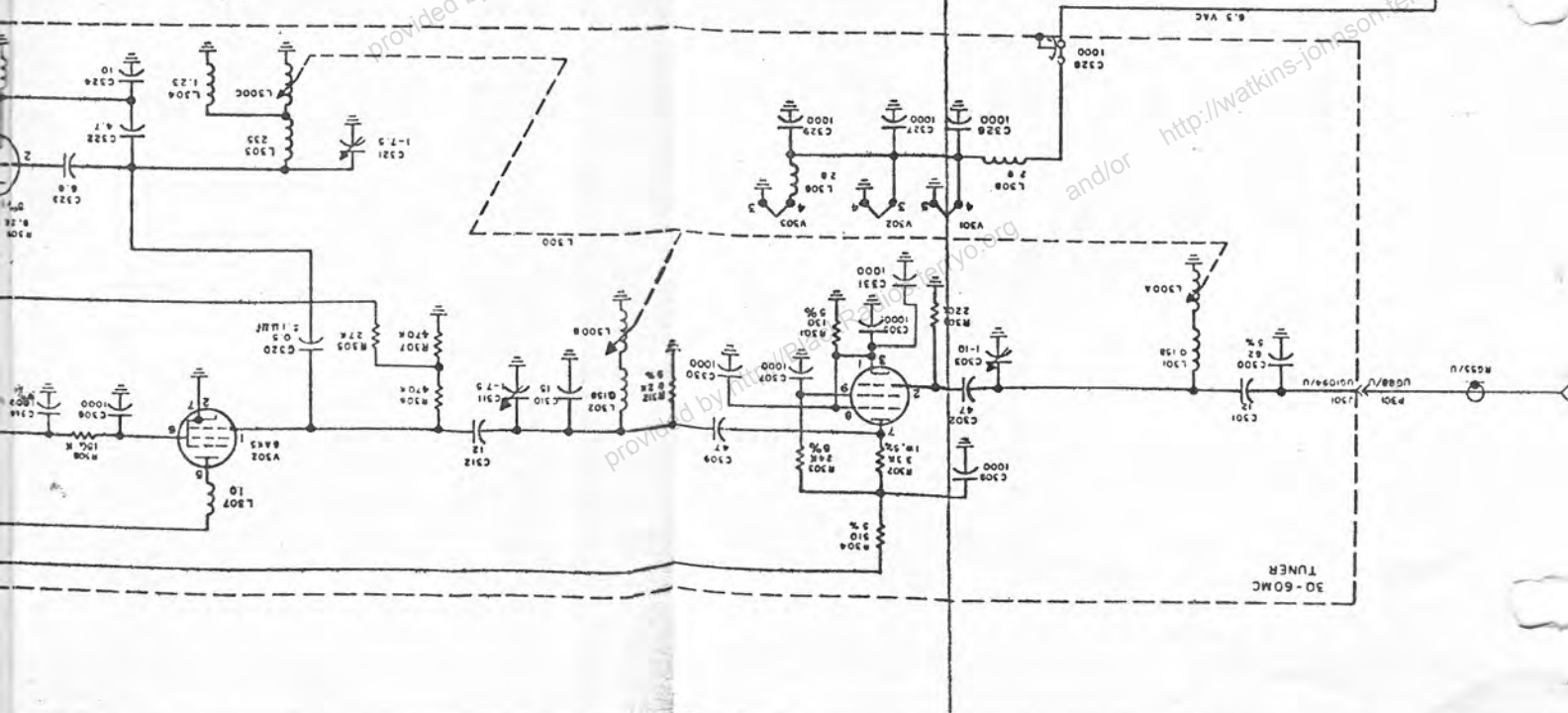
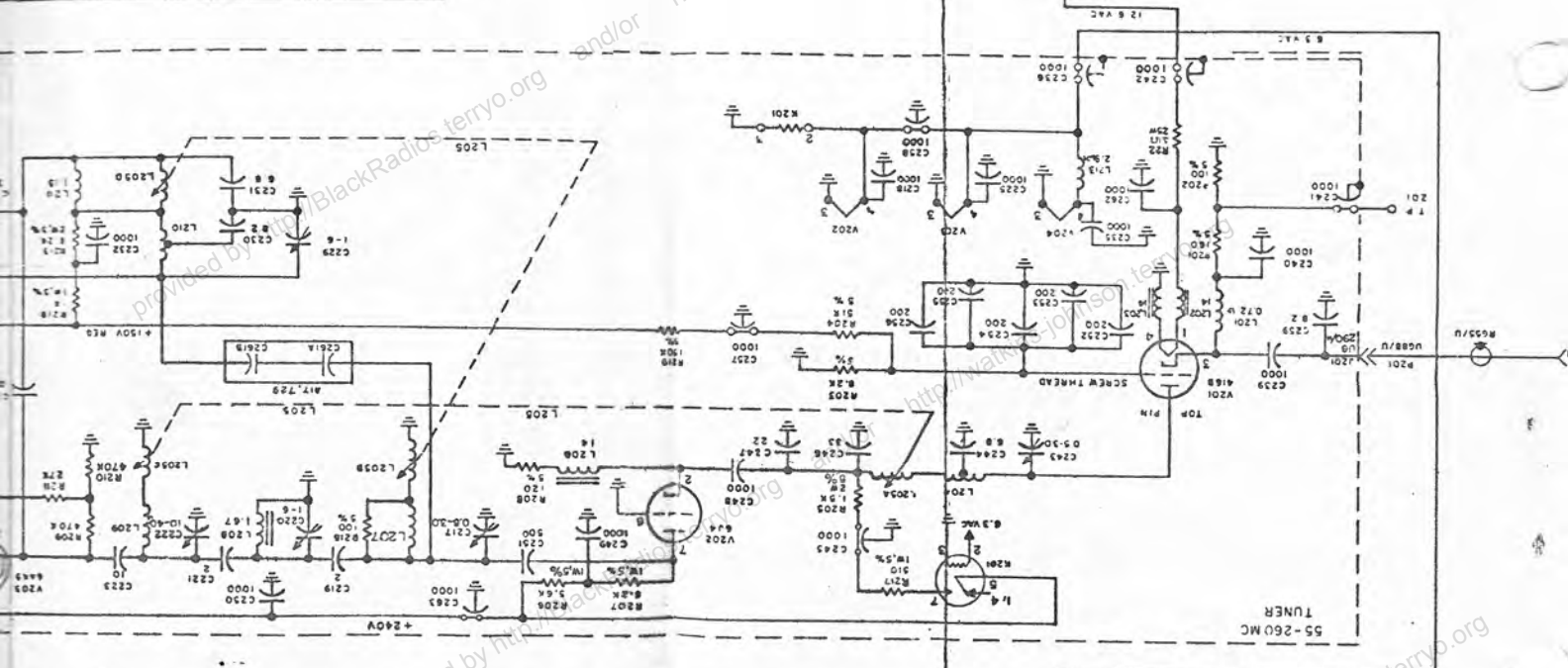
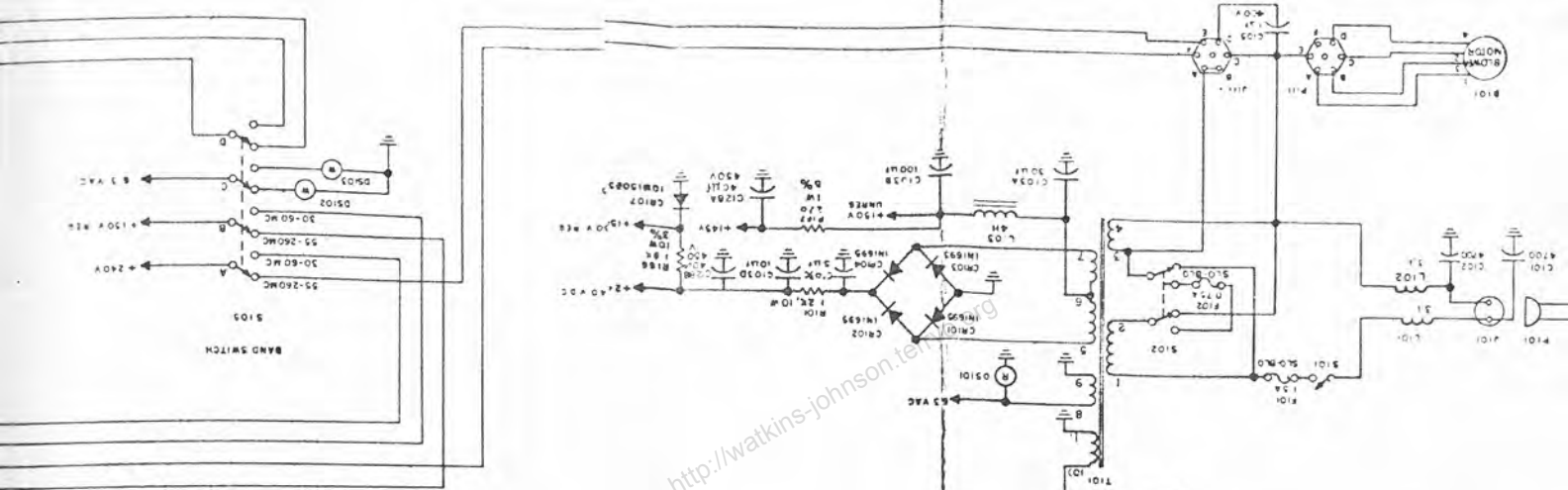


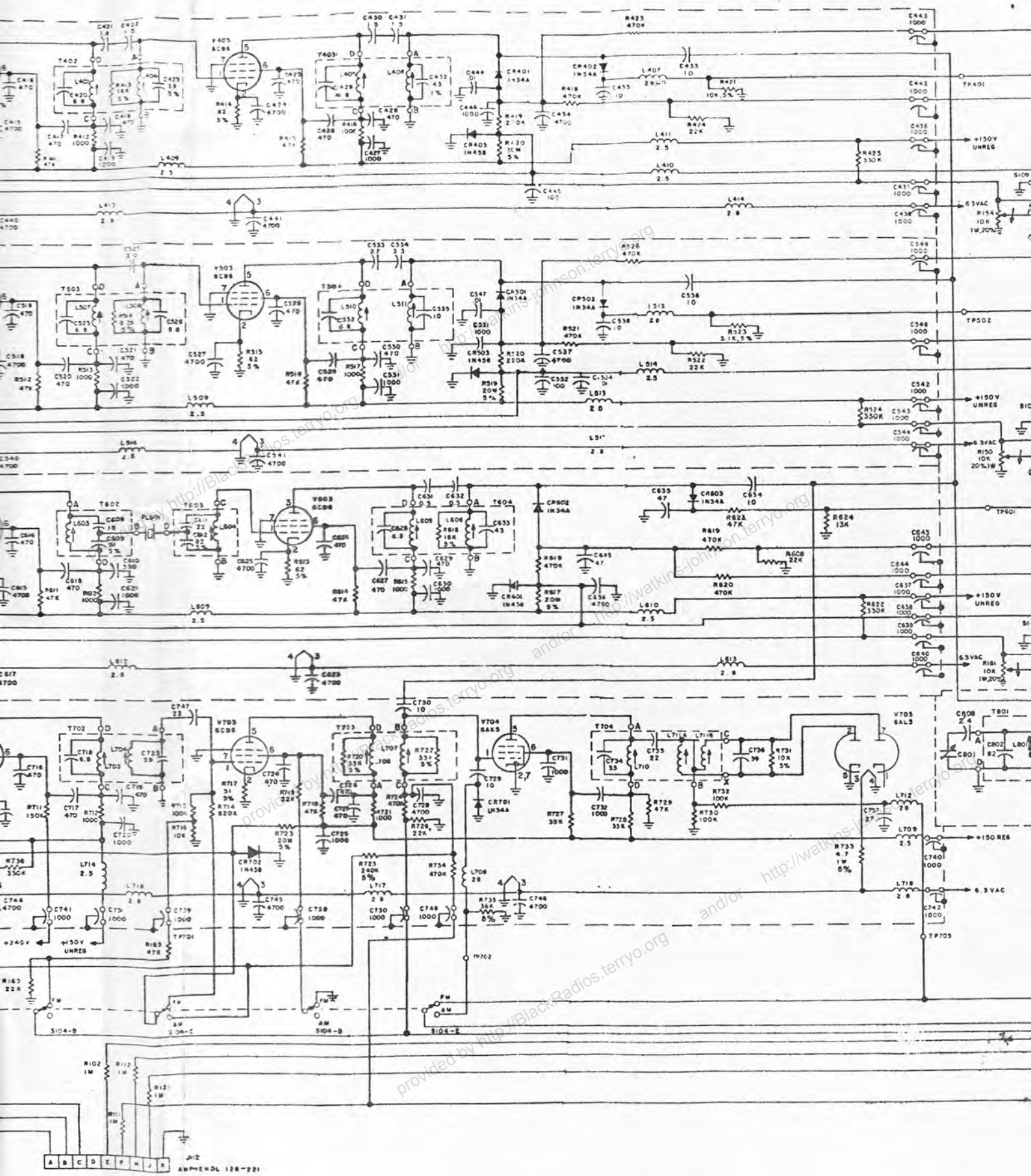
1306-4-14

Figure 4-14. 55-260 mc RF Tuner Gear Train

A B C D E







A	B	C	D	E	F	G	H	I	J	K
---	---	---	---	---	---	---	---	---	---	---

 APPENDIX 128-221

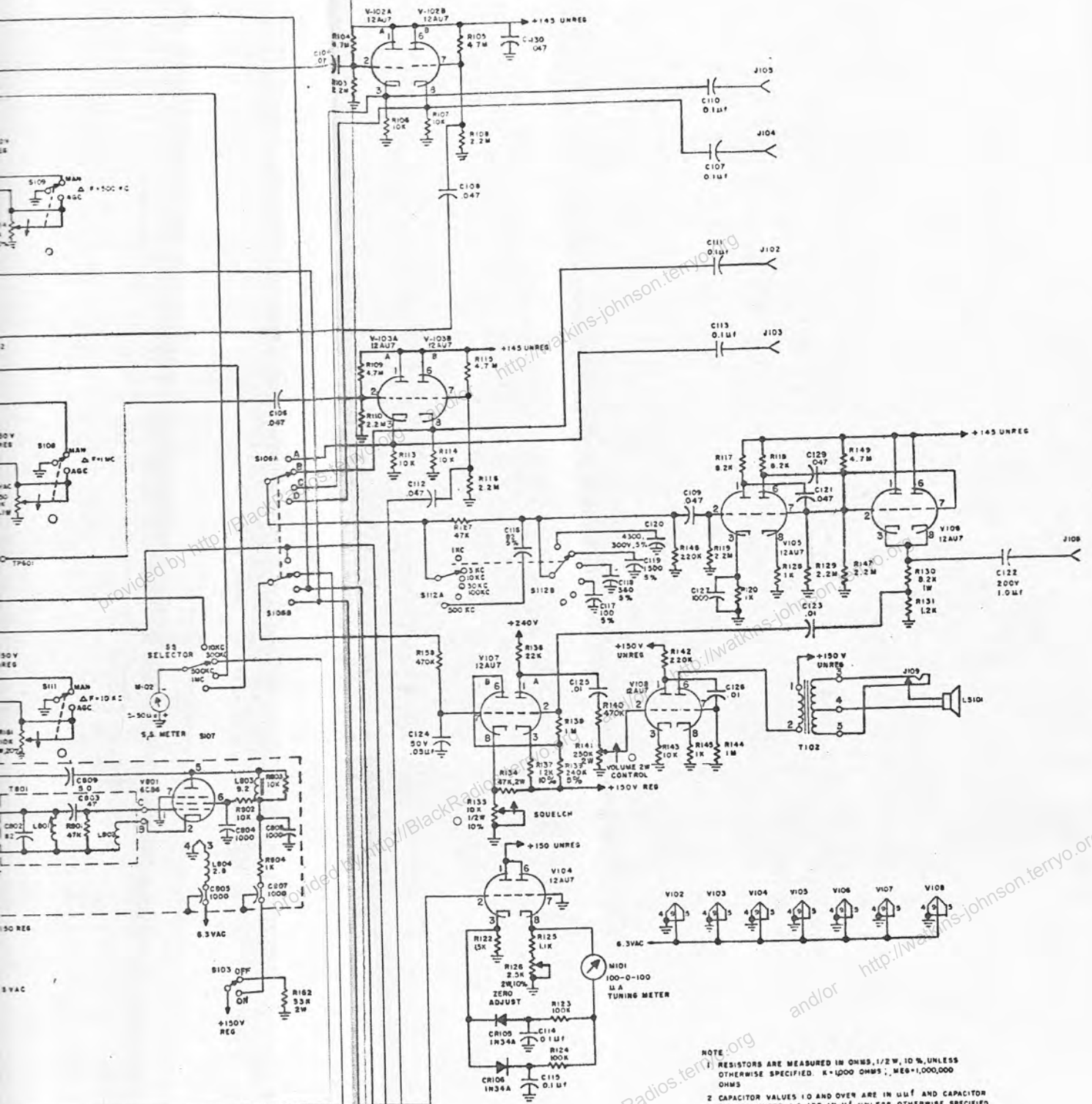


Figure 5-1. Model 1306 Receiver, Schematic Diagram

