

NOTE:

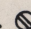
1. UNLESS OTHERWISE NOTED:

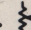
CAPACITOR VALUES LESS THAN ONE ARE IN MICROFARADS.

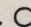
CAPACITOR VALUES GREATER THAN ONE ARE IN PICOFARADS (MICROMICROFARADS).

INDUCTANCE VALUES ARE IN MICROHENRYS.

RESISTOR VALUES ARE IN OHMS, K=1,000, M=1,000,000.

2.  INTERNAL ADJUSTMENT.

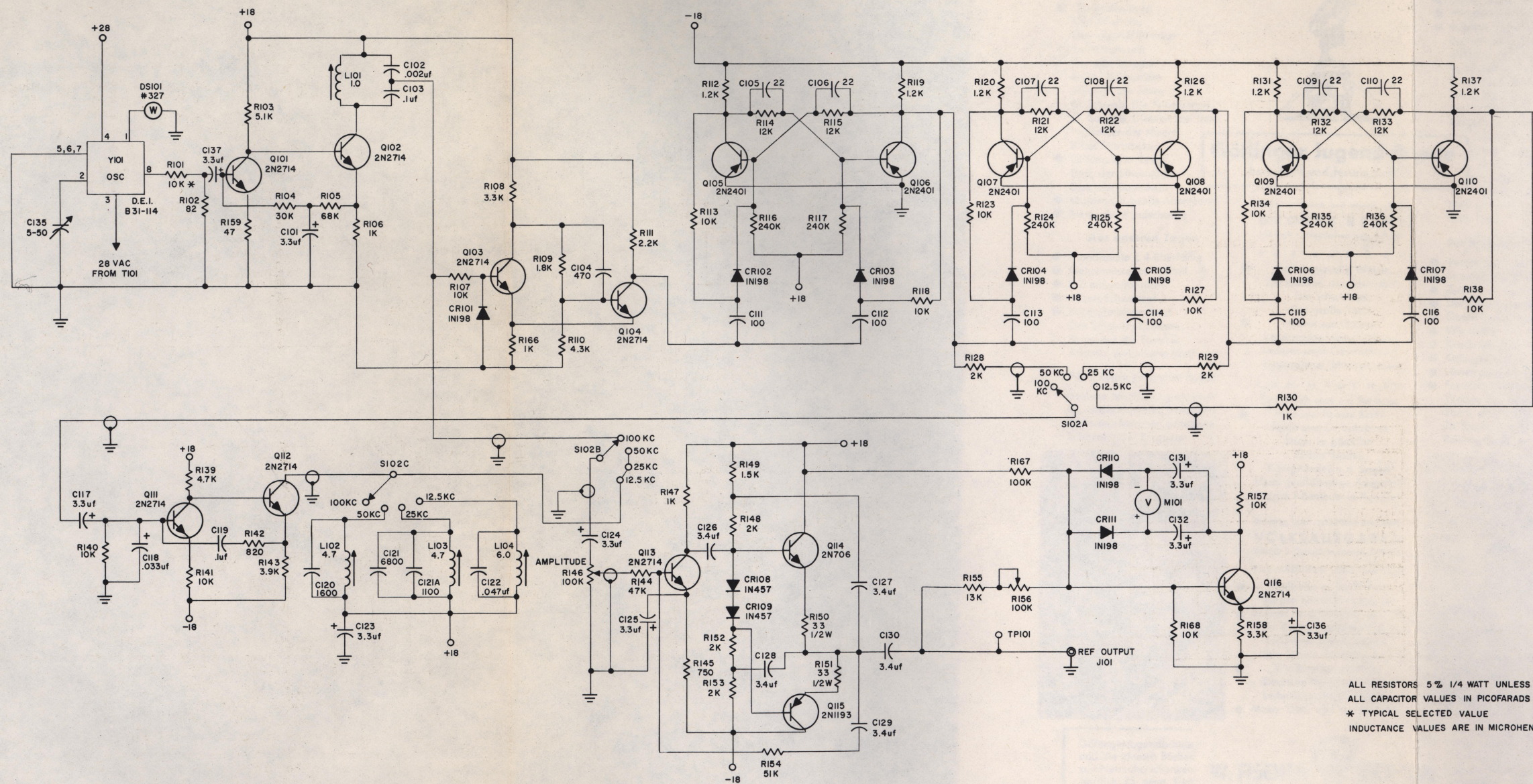
3.  ARROW DENOTES CLOCKWISE ROTATION.

4.  OPERATING CONTROL.

5. PARTIAL REFERENCE DESIGNATIONS ARE SHOWN; FOR COMPLETE IDENTIFICATION PREFIX WITH THE UNIT NUMBER OR SUB-ASSEMBLY DESIGNATION.

6. * TYPICAL VALUE.

HIGHEST REF. DESIGNATION USED		
C137	J102	T101
CR116	L104	TP101
DS101	R168	XF101
F101	Q119	
FL101	S102	
REF. DESIGNATION NOT USED		



ALL RESISTORS 5% 1/4 WATT UNLESS OTHERWISE NOTED
 ALL CAPACITOR VALUES IN PICOFARADS UNLESS OTHERWISE NOTED
 * TYPICAL SELECTED VALUE
 INDUCTANCE VALUES ARE IN MICROHENRYS