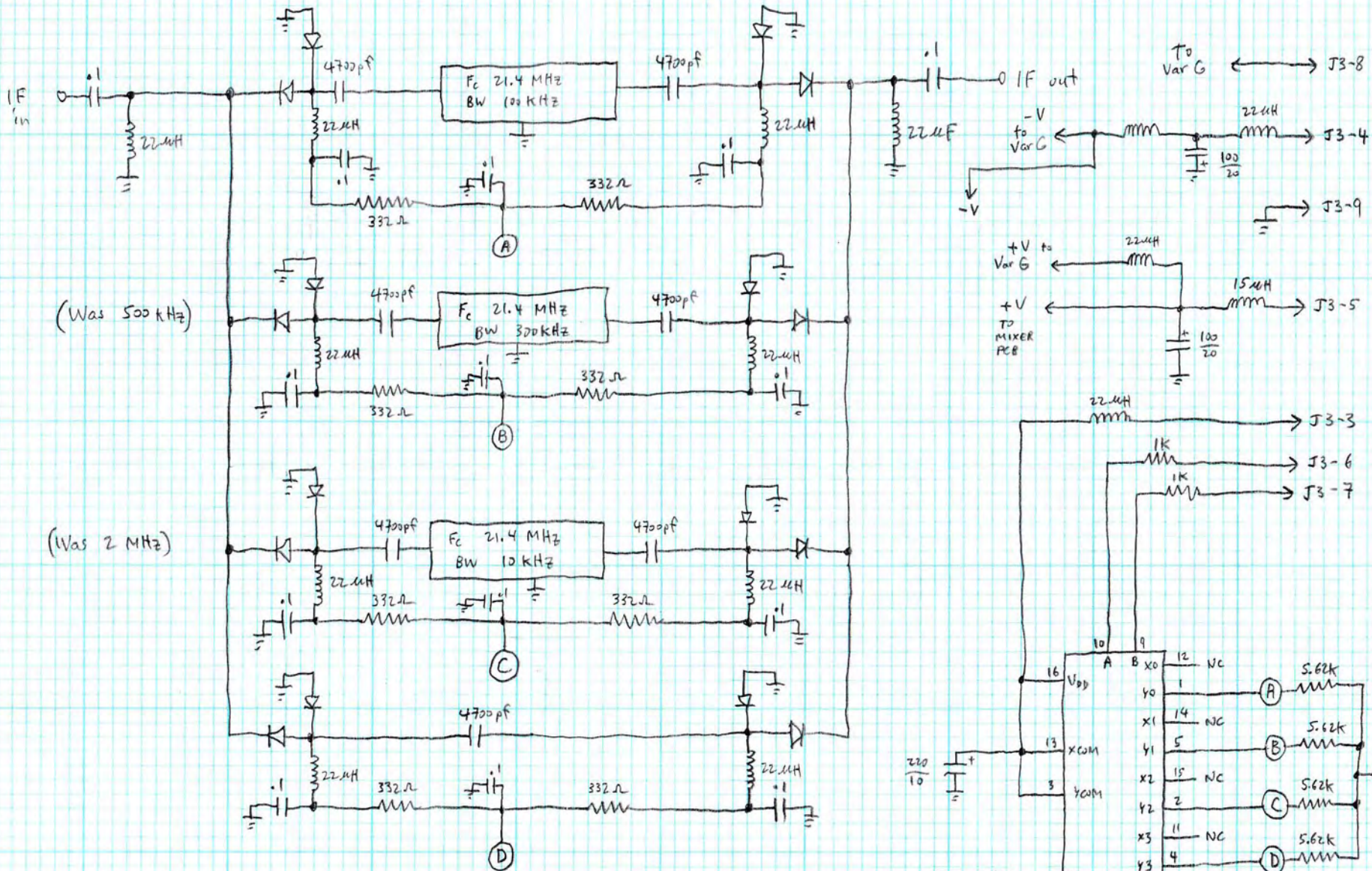


A2A3
 2nd Mixer
 10/17/2015
 P. Gottlieb
 P/O A2 Downconverter

TDC-10-1 coupler 1-400 MHz
 1 IN 10 dB
 2 out
 3 GND
 4 coupled



(Was 500 kHz)

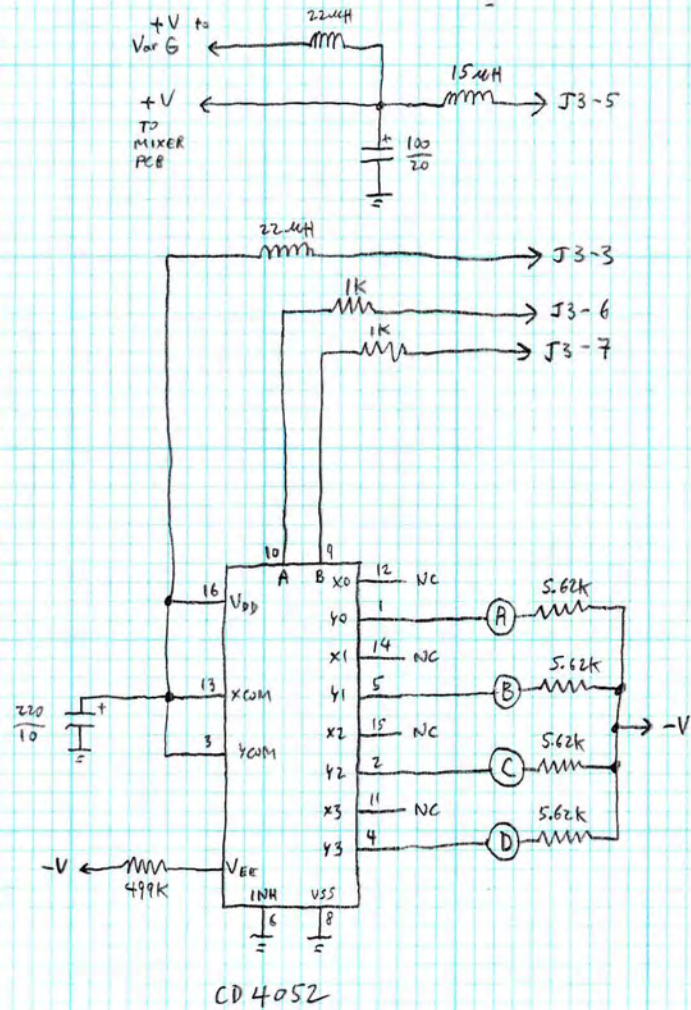
(Was 2 MHz)

Diodes S719
A01M

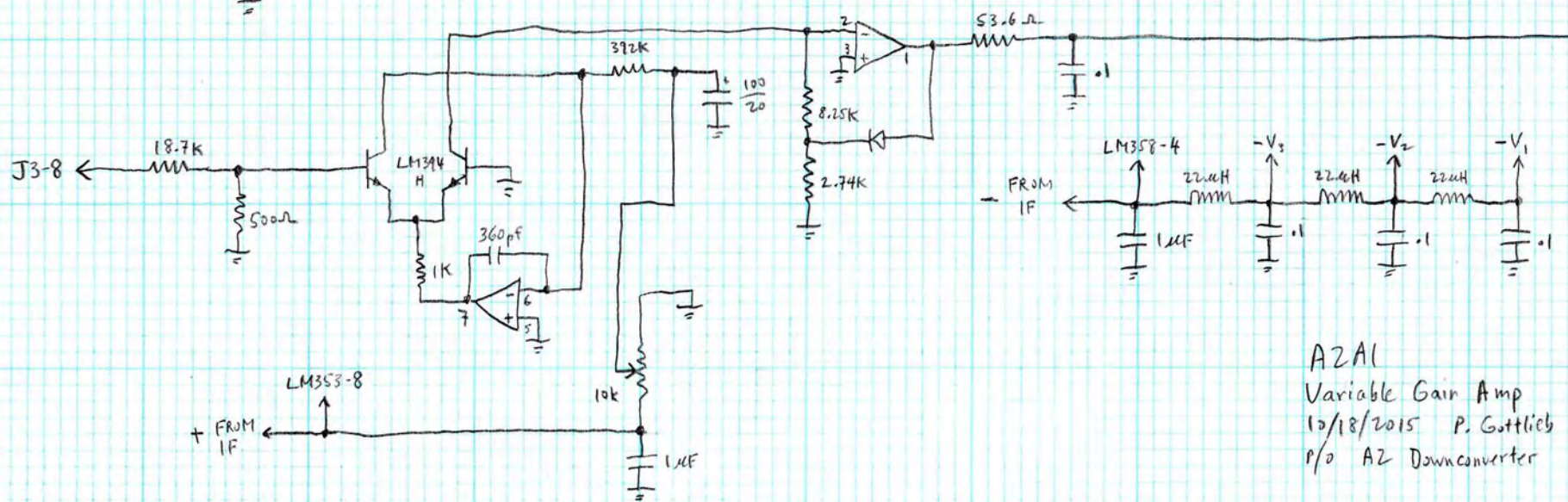
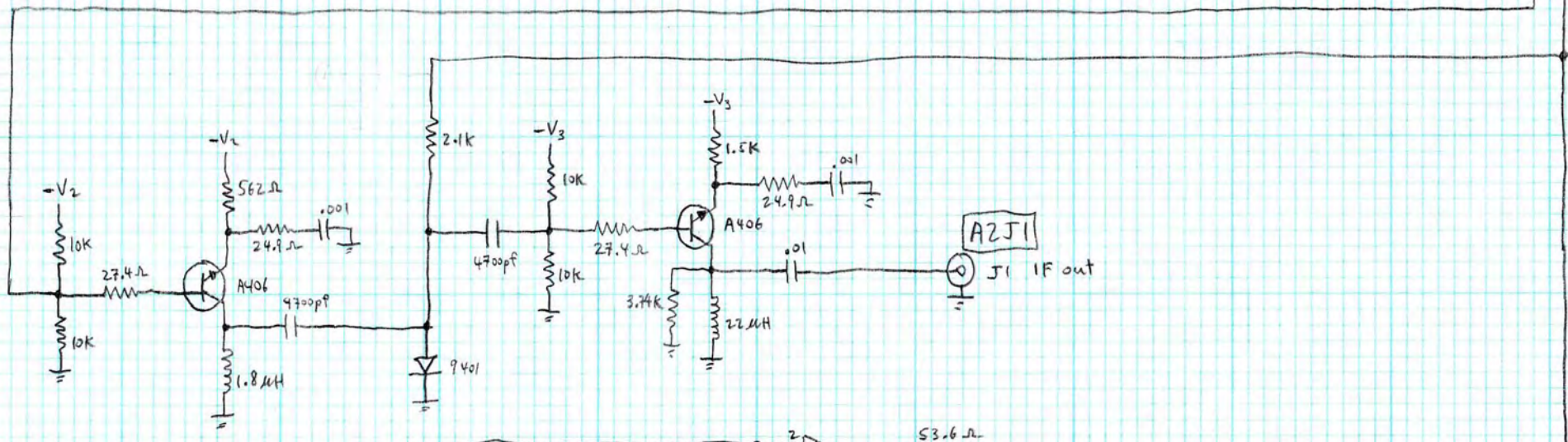
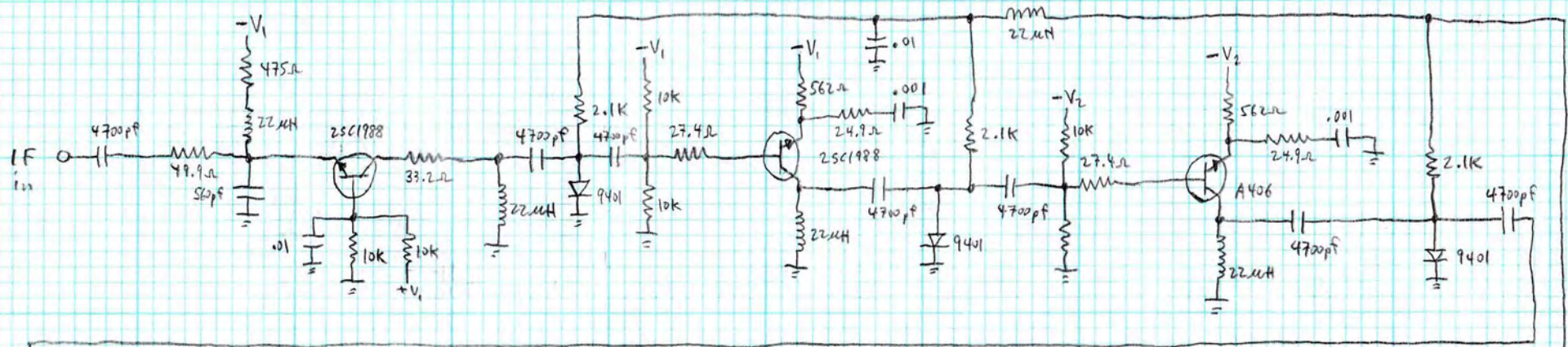
AZAZ

IF Filter

10/17/2015 P. Gottlieb
P/O AZ Downconverter

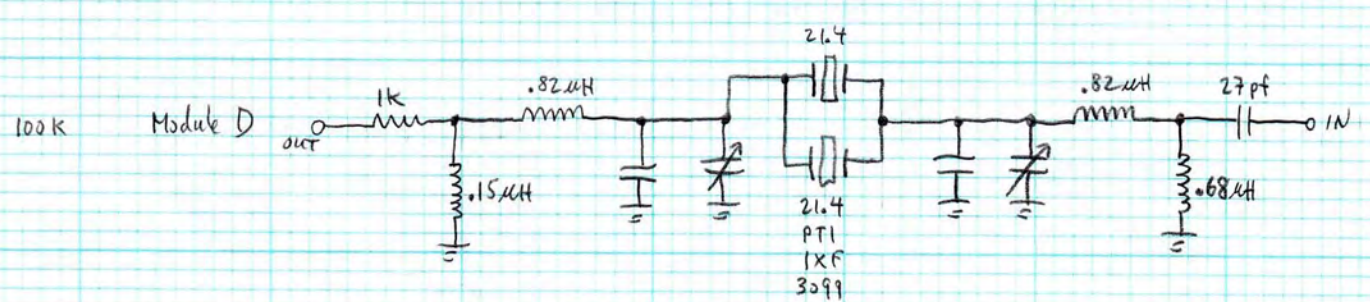
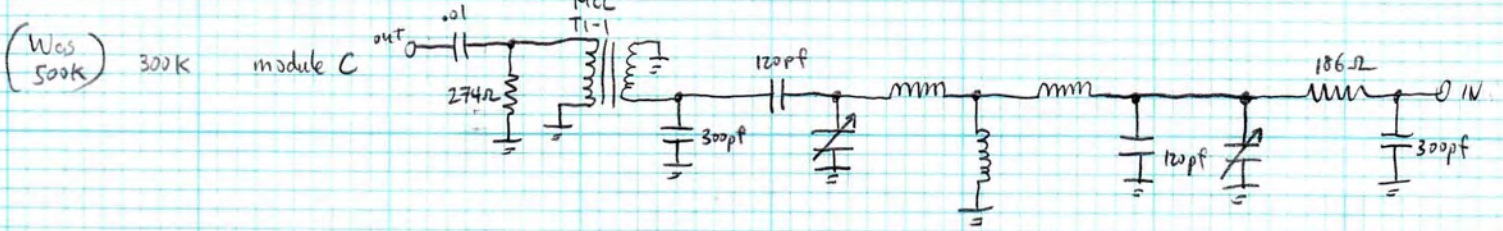
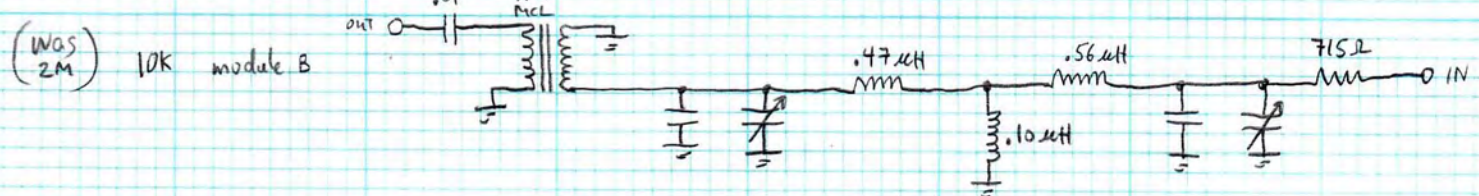
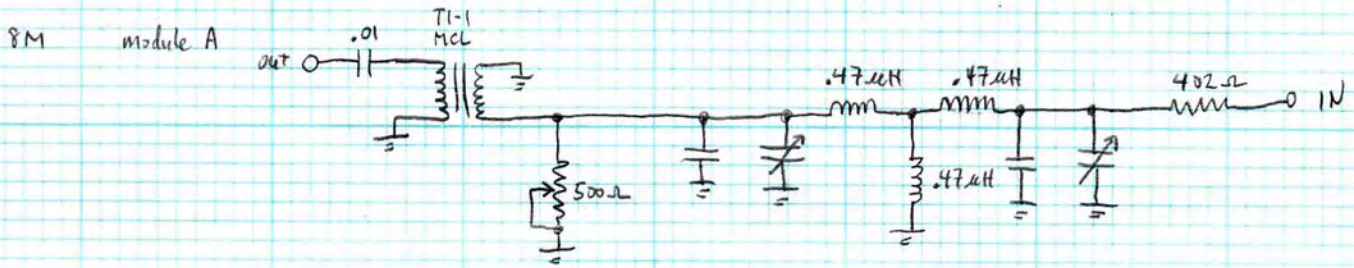
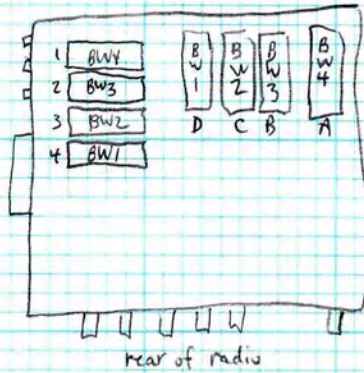


CD4052

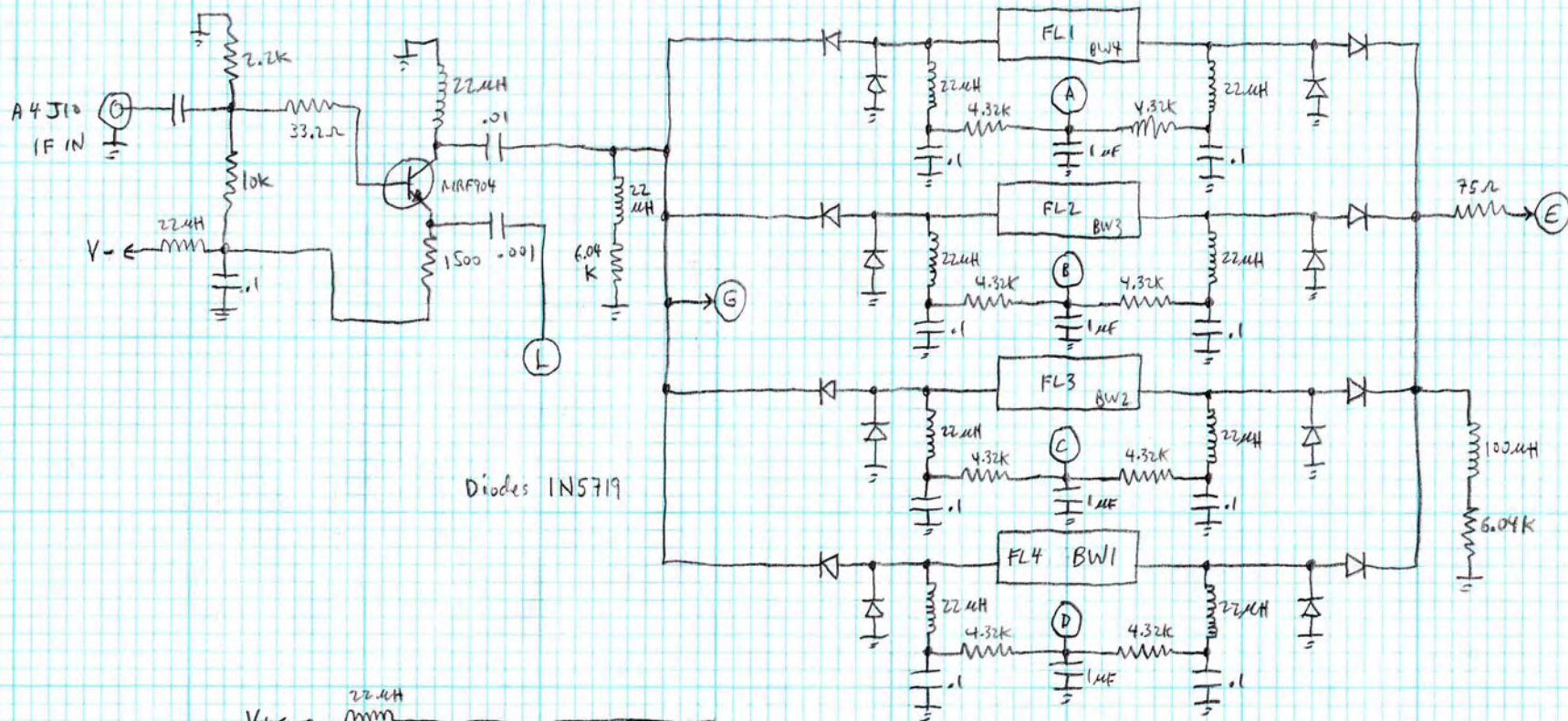


AZAI
 Variable Gain Amp
 10/18/2015 P. Gottlieb
 p/o AZ Downconverter

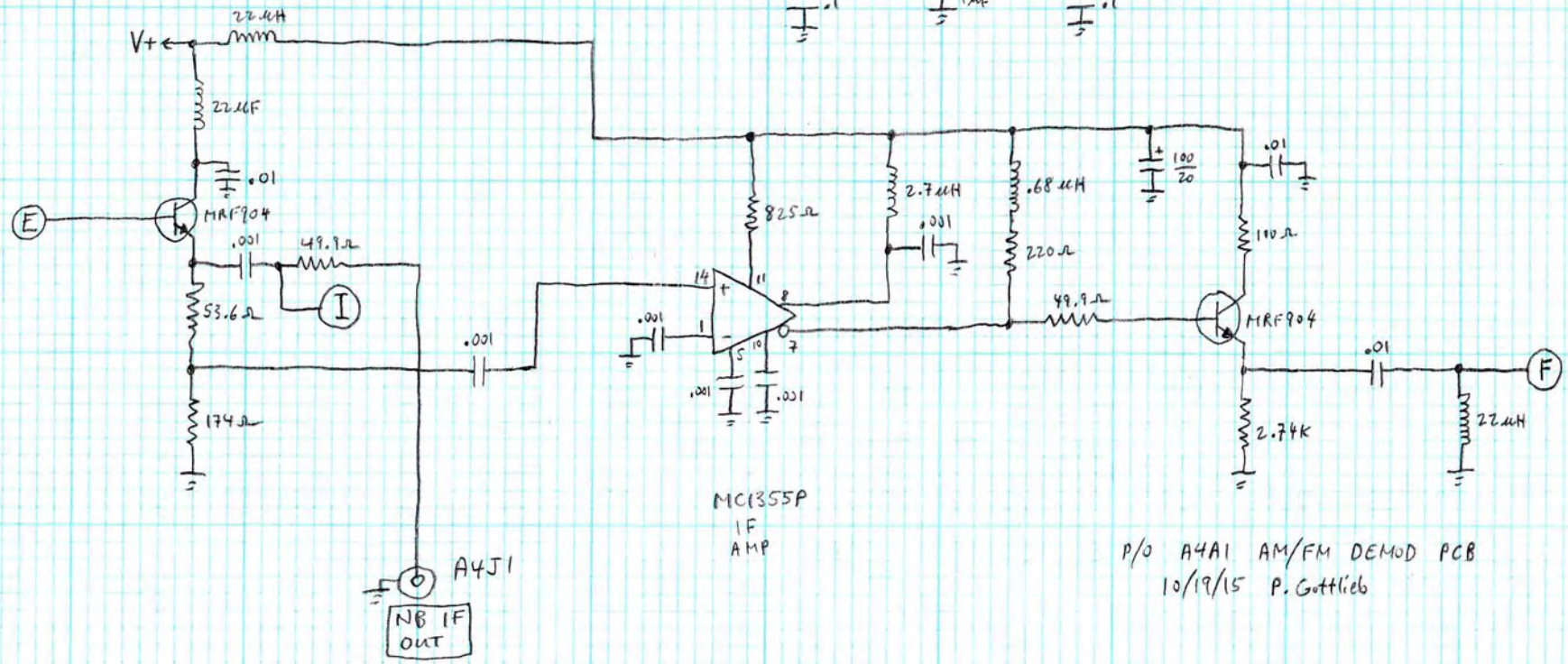
BW1 100K
 BW2 300K
 BW3 10K
 BW4 8M



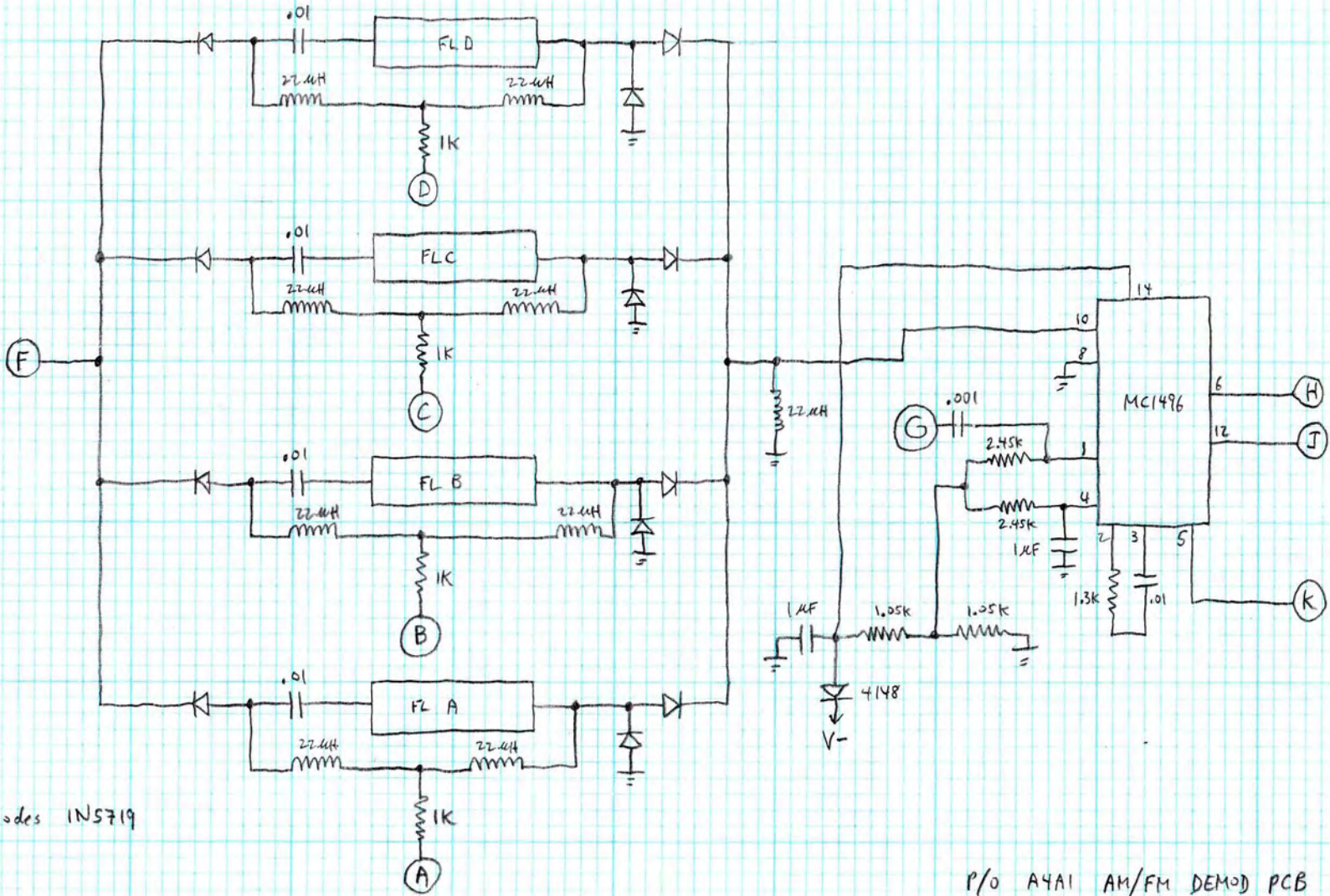
P/O A4A1 AM/FM DEMOD PCB
 10/18/15 P.G. Hickey



Diodes 1N5719

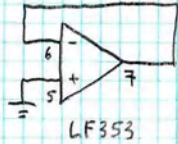


P/O A4A1 AM/FM DEMOD PCB
10/19/15 P. Gottlieb



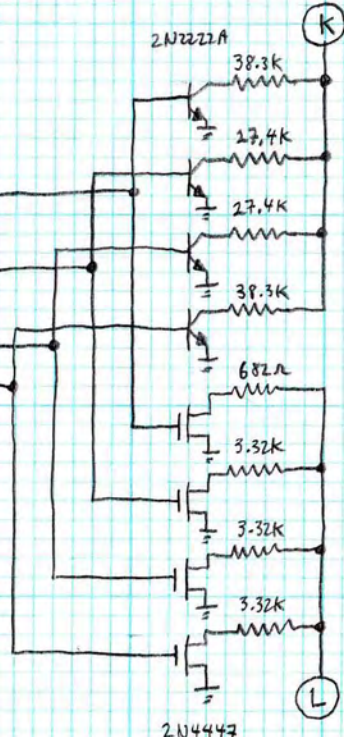
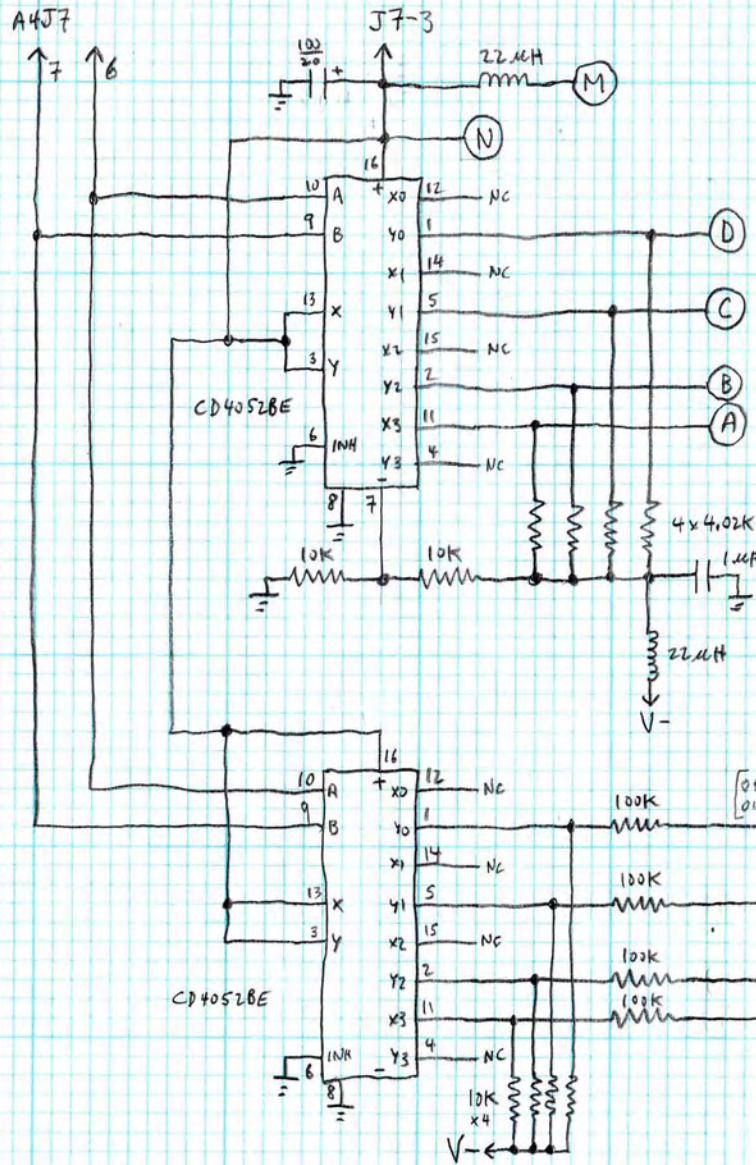
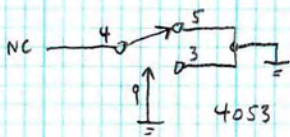
Diodes 1N5719

P/O A4A1 AM/FM DEMOD PCB
 10/20/15 P. Guttlieb



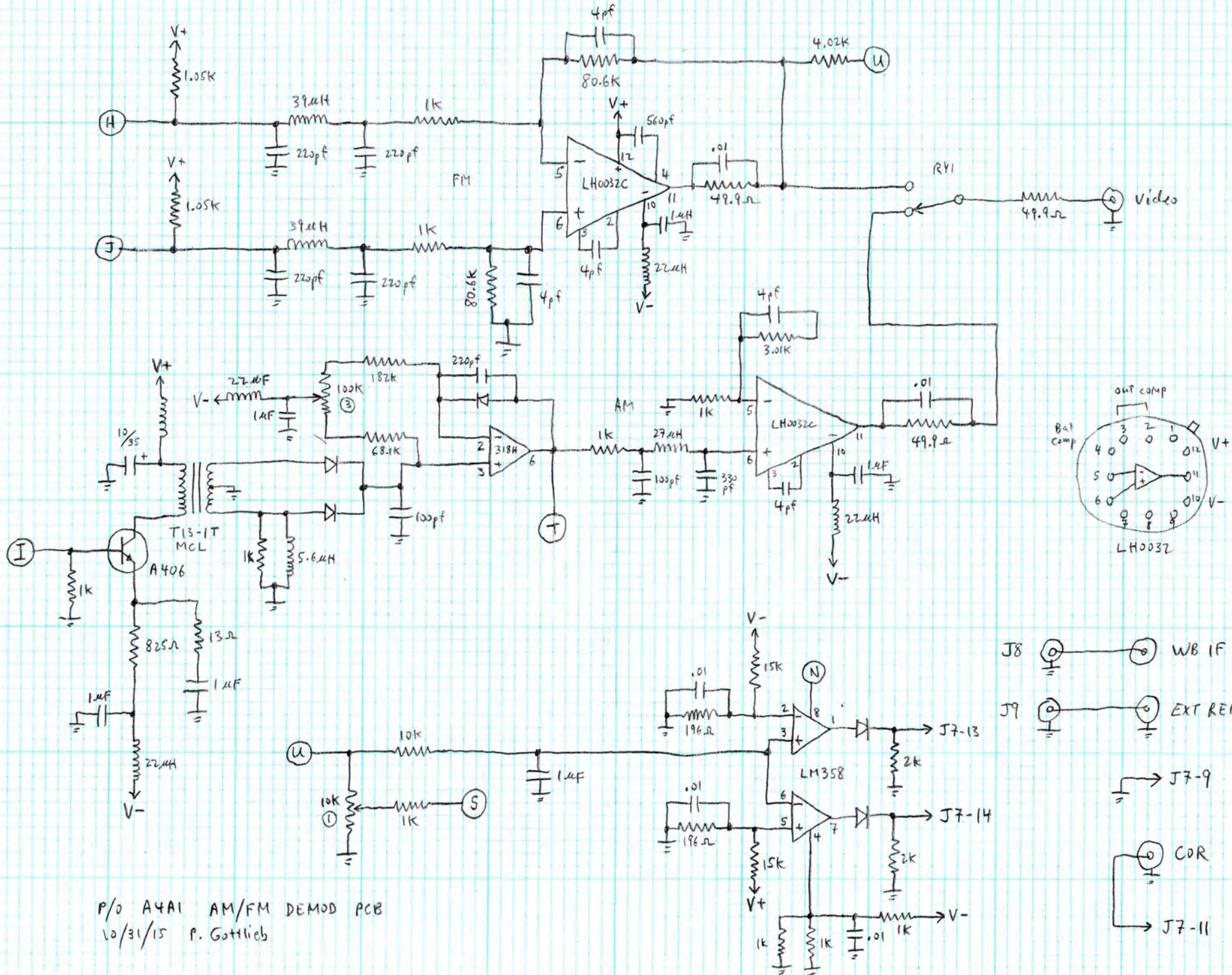
J7-4 ← V-

J7-5 ← V+

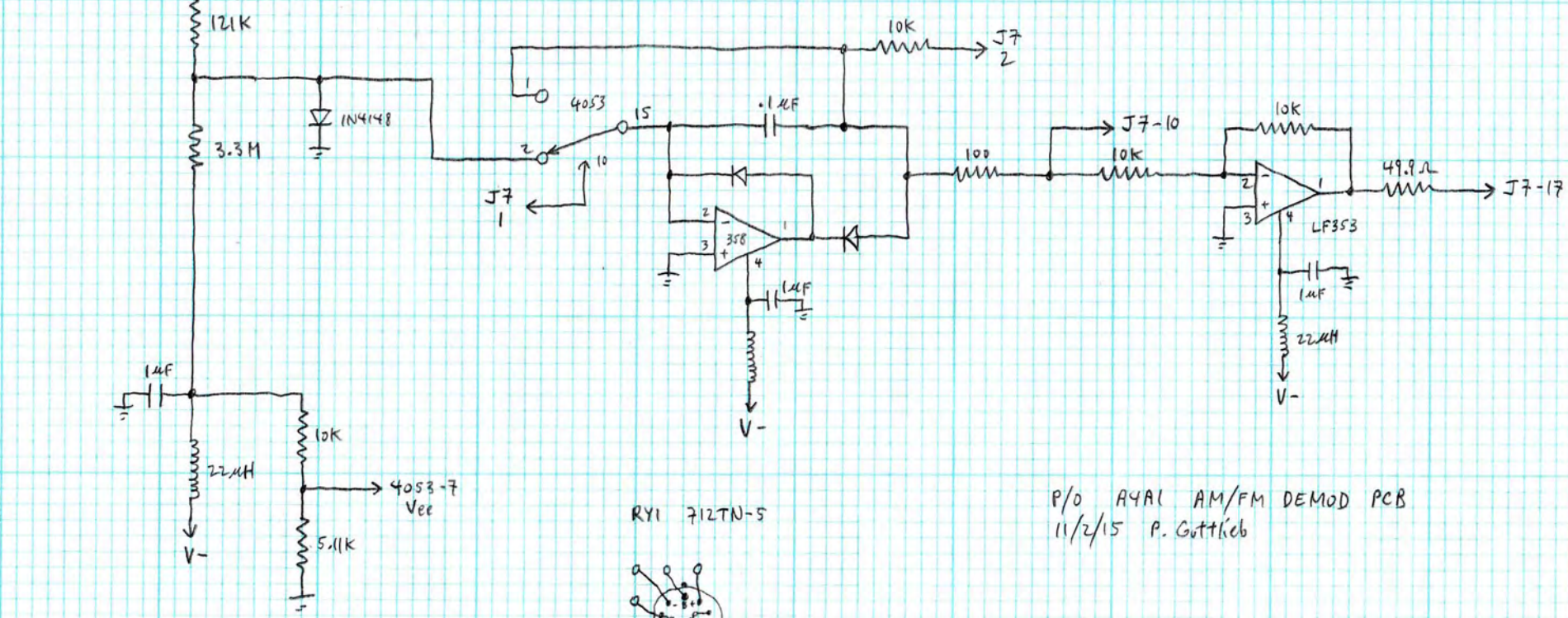
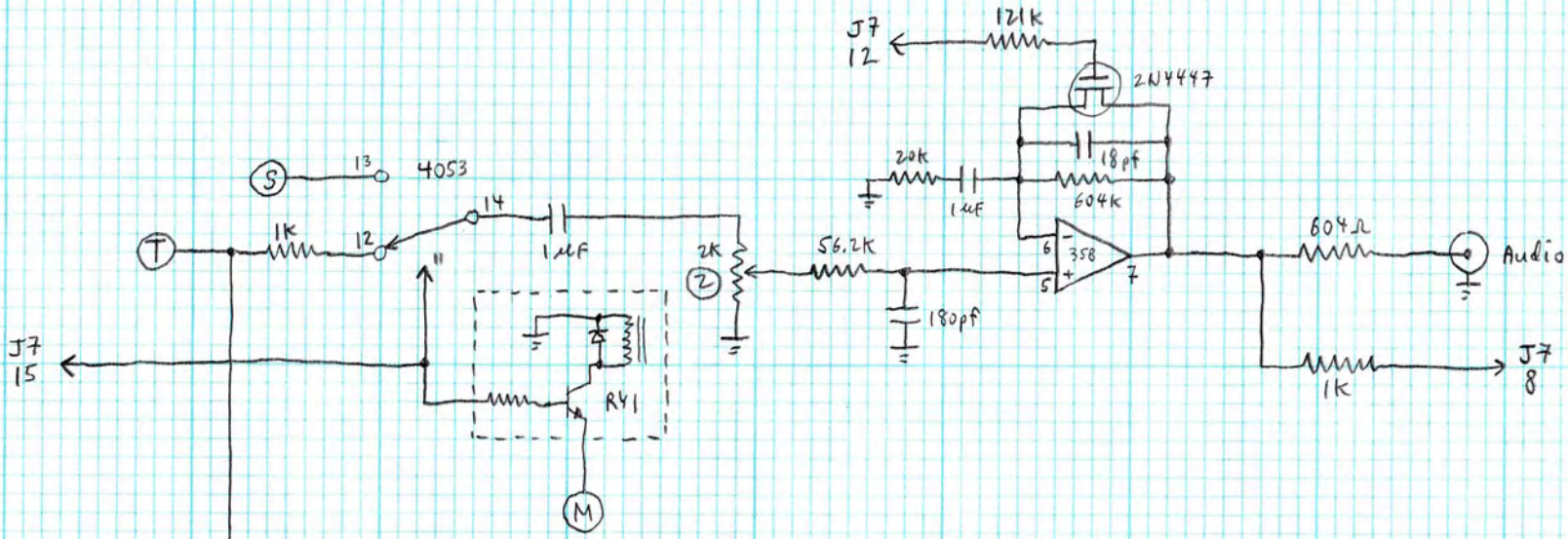


P/O A4A1 AM/FM DEMOD PCB
10/31/15 P. Gottlieb

2N4447



P/O A4A1 AM/FM DEMOD PCB
 10/31/15 P. Gottlieb



RY1 712TN-5



P/O AYAL AM/FM DEMOD PCB
11/2/15 P. Guttlieb