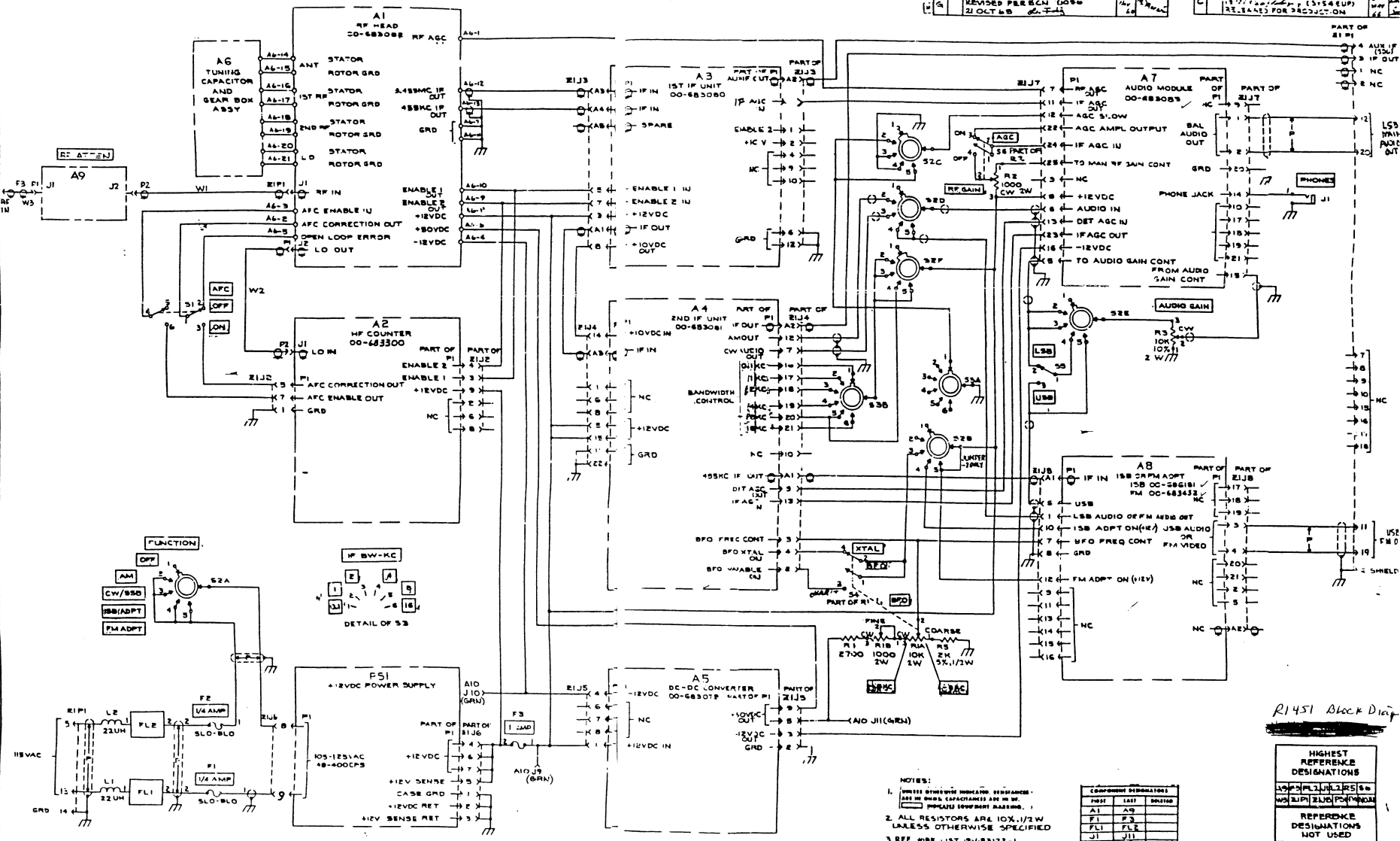


REV. NO.	DATE APPROVED	DATE
H	12/27/53	12/27/53

D	REVISED PER ECN 2273	12/27/53
E	REVISED PER ECN 2273 (NUMERICAL)	12/27/53
F	REVISED PER ECN 2324	12/27/53
G	REVISED PER ECN 1009	12/27/53

REVISION	DESCRIPTION	DATE
A	REVISED PER ECN 2027 (SYS 400)	12/27/53
B	REVISED PER ECN 2027 (SYS 400)	12/27/53
C	REVISED PER ECN 2027 (SYS 400)	12/27/53



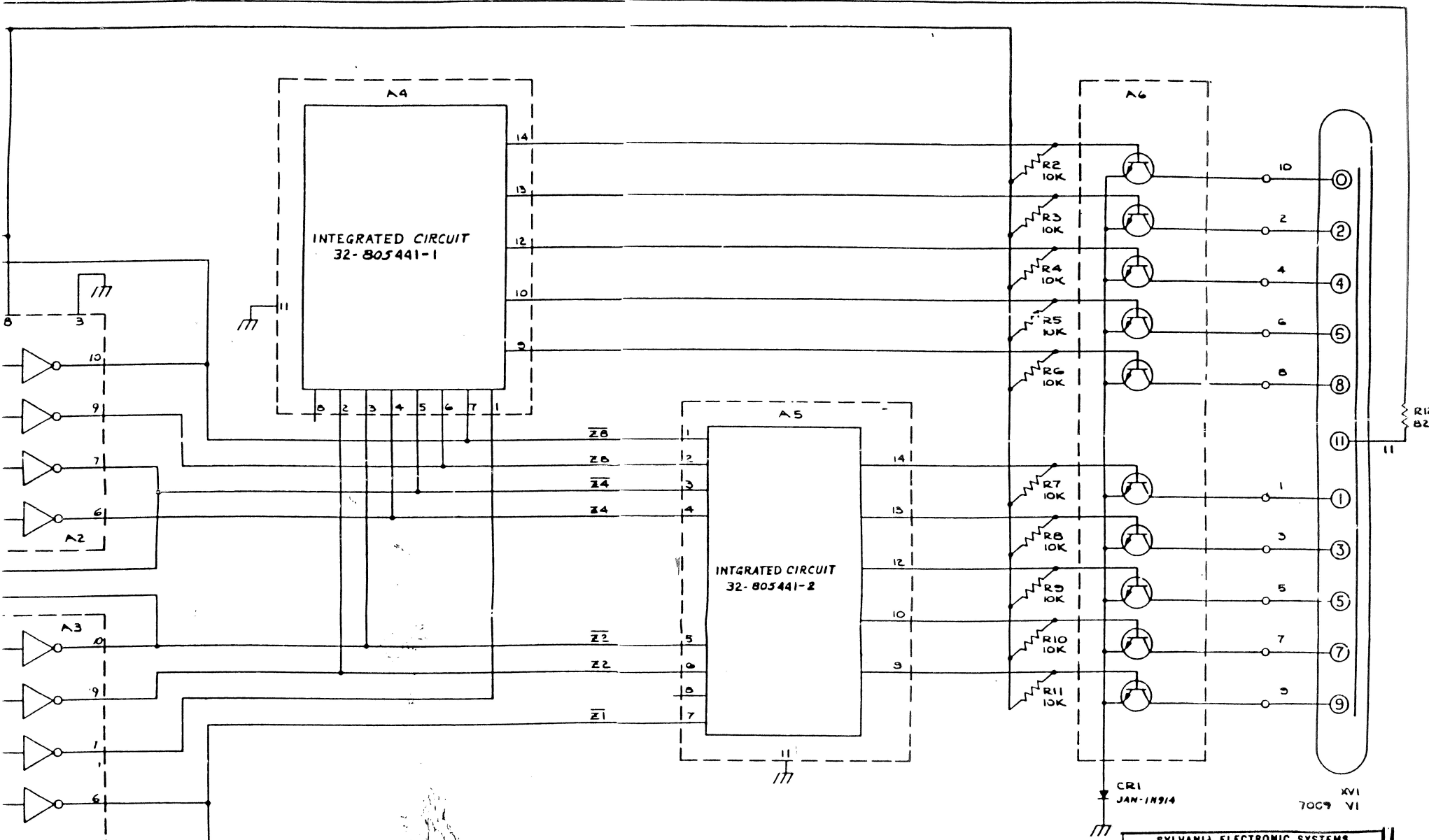
NOTES:
 1. UNLESS OTHERWISE INDICATED, RESISTANCE - ALL IN OHMS, CAPACITANCE ARE IN P.F.
 2. ALL RESISTORS ARE 10X, 1/2W UNLESS OTHERWISE SPECIFIED
 3. REF WIRE LIST 19-683172-1
 4. PARTIAL REFERENCE DES ARE SHOWN, DESIGN ALL REFERENCE DESIGNATORS WITH A9 WITH THE EXCEPTION OF A2, A6, A7, A8 AND

COMPONENT DESIGNATION	VALUE	UNIT	WATTAGE
A1	22U	U	
F1	22U	U	
FL1	22U	U	
J1	J1	J	
L1	L1	L	
PI	PI	PI	
PS1	PS1	PS	
RT	RT	RT	
ST	ST	ST	
WI	WI	WI	

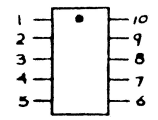
R1451 Block Diagram

HIGHEST REFERENCE DESIGNATIONS
 10P, 11P, 12P, 13P, 14P, 15P, 16P, 17P, 18P, 19P, 20P, 21P, 22P, 23P, 24P, 25P, 26P, 27P, 28P, 29P, 30P, 31P, 32P, 33P, 34P, 35P, 36P, 37P, 38P, 39P, 40P, 41P, 42P, 43P, 44P, 45P, 46P, 47P, 48P, 49P, 50P, 51P, 52P, 53P, 54P, 55P, 56P, 57P, 58P, 59P, 60P, 61P, 62P, 63P, 64P, 65P, 66P, 67P, 68P, 69P, 70P, 71P, 72P, 73P, 74P, 75P, 76P, 77P, 78P, 79P, 80P, 81P, 82P, 83P, 84P, 85P, 86P, 87P, 88P, 89P, 90P, 91P, 92P, 93P, 94P, 95P, 96P, 97P, 98P, 99P, 100P

REFERENCE DESIGNATIONS NOT USED

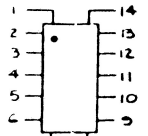


DETAIL A2-A3

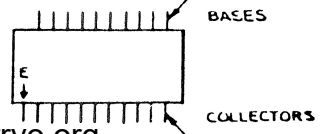


32-805453-1

DETAIL A4-A5



DETAIL A6



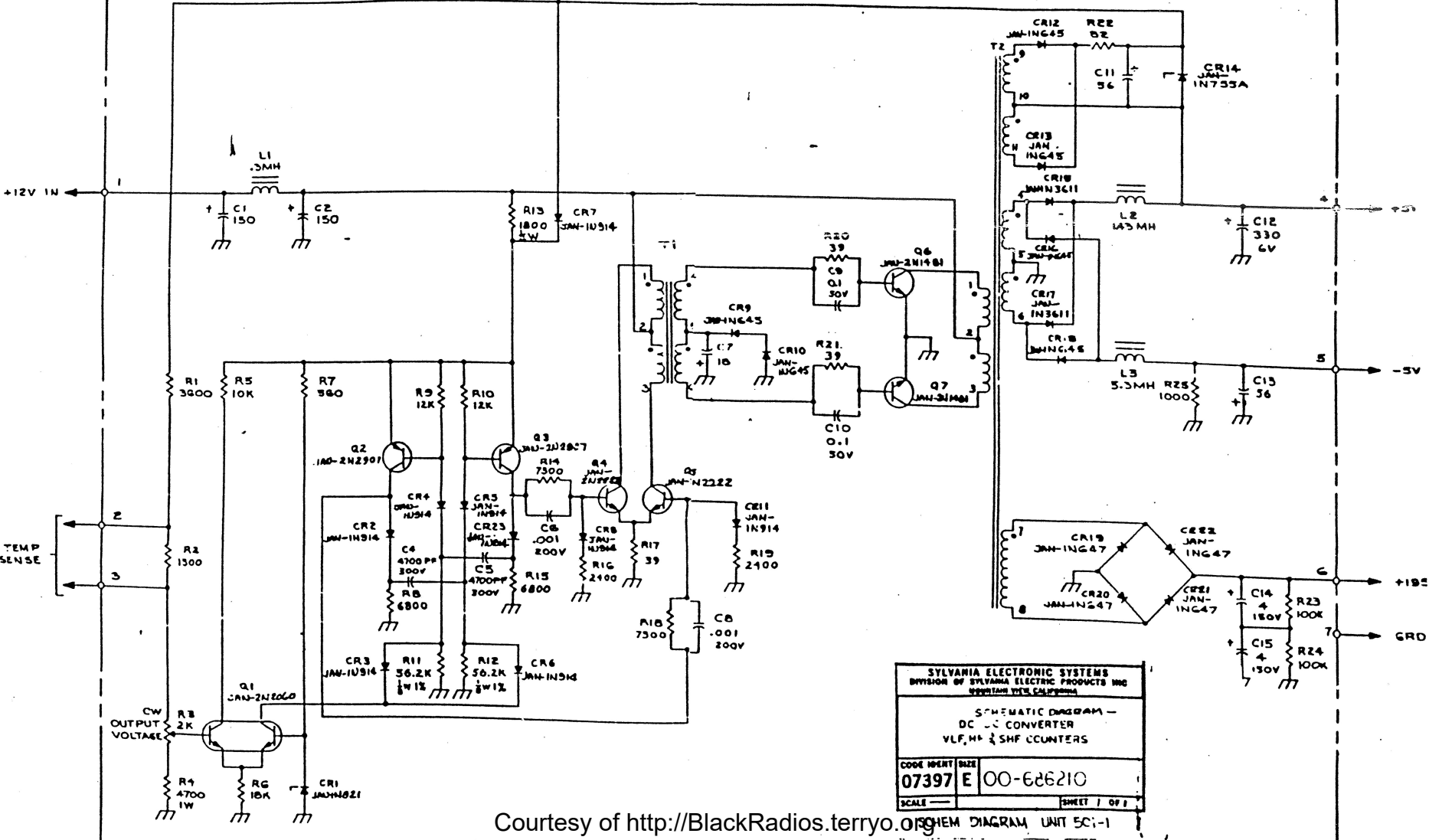
SYLVANIA ELECTRONIC SYSTEMS
DIVISION OF SYLVANIA ELECTRIC PRODUCTS INC
MOUNTAIN VIEW, CALIFORNIA

SCHEMATIC DIAGRAM -
DECADE-2
HF SHF & VLF COUNTERS

CODE IDENT	SIZE	00-685905
07397	E	
SCALE	SHEET 1 OF 1	

1 SCHEM DIAGRAM UNIT 501-1

Courtesy of <http://BlackRadios.terryo.org>

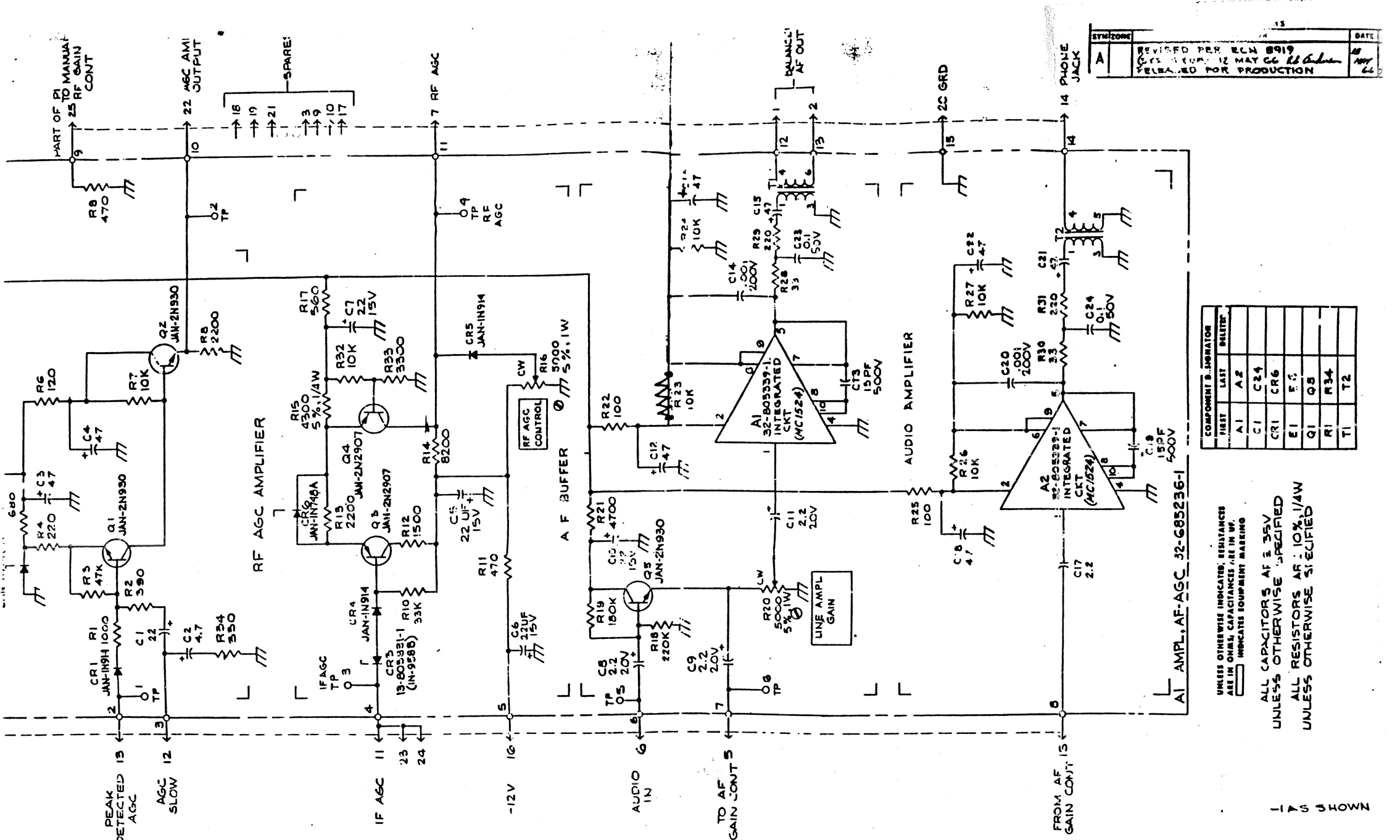


SYLVANIA ELECTRONIC SYSTEMS
DIVISION OF SYLVANIA ELECTRIC PRODUCTS INC
SPRINGFIELD, MASSACHUSETTS

SCHEMATIC DIAGRAM -
DC-DC CONVERTER
VLF, HF & SHF COUNTERS

CODE IDENT DATE
07397 E 00-626210

SCALE — SHEET 1 OF 1



SYM	DATE
A	REVISED PER ECM 8919 C.E.S. 12 MAY 66 RELEASED FOR PRODUCTION

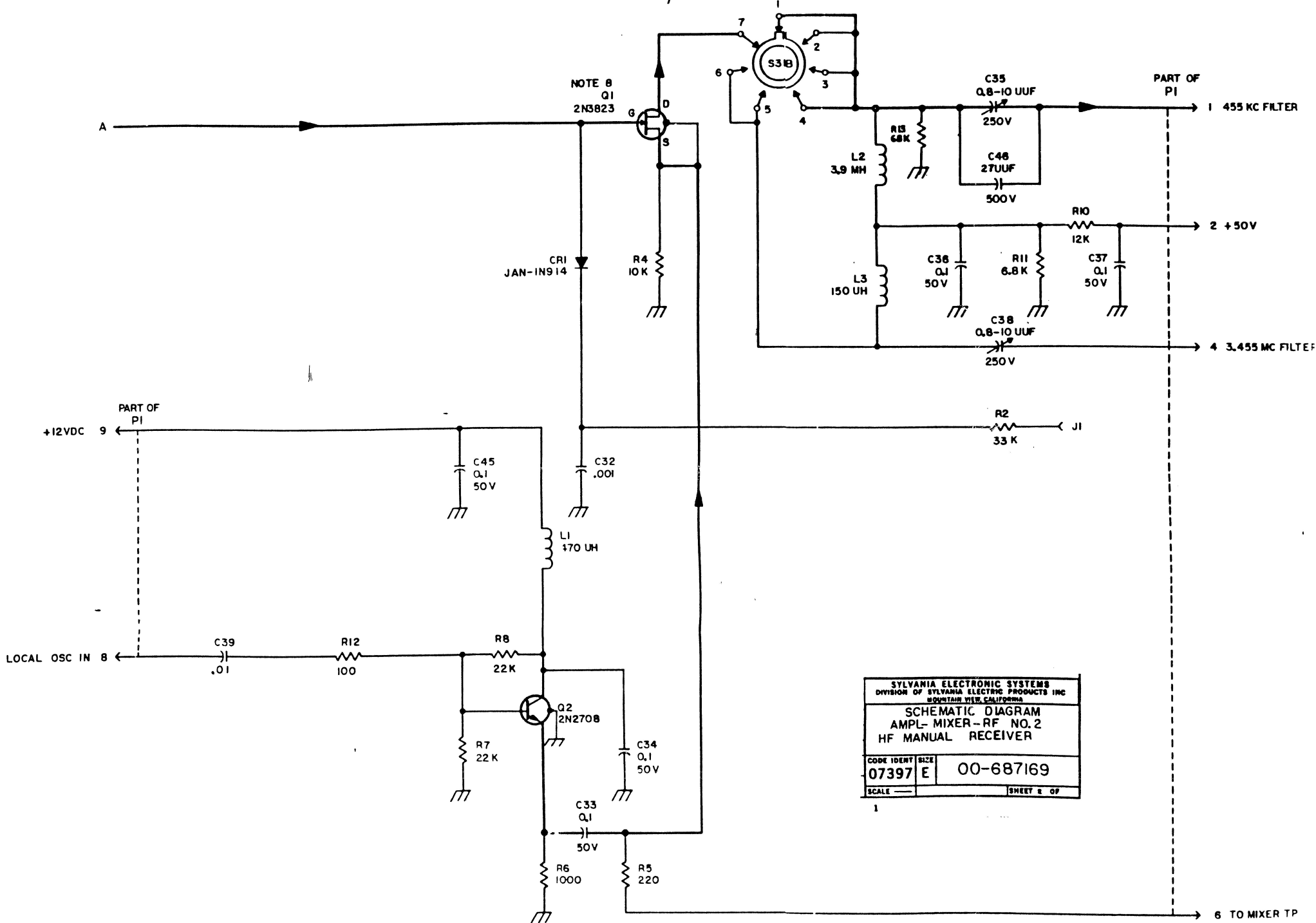
COMPONENT B-ILLUSTRATOR	
FIRST	LAST
A1	A2
C1	C24
CR1	CR6
E1	F1
Q1	Q5
R1	R34
T1	T2

UNLESS OTHERWISE INDICATED, RESISTANCES ARE IN OHMS, CAPACITANCES ARE IN UF.
 [Symbol] INDICATES EQUIPMENT MARKING

ALL CAPACITORS AF 5 35V
 UNLESS OTHERWISE SPECIFIED
 ALL RESISTORS AF 10% 1/4W
 UNLESS OTHERWISE SPECIFIED

175 SHOWN

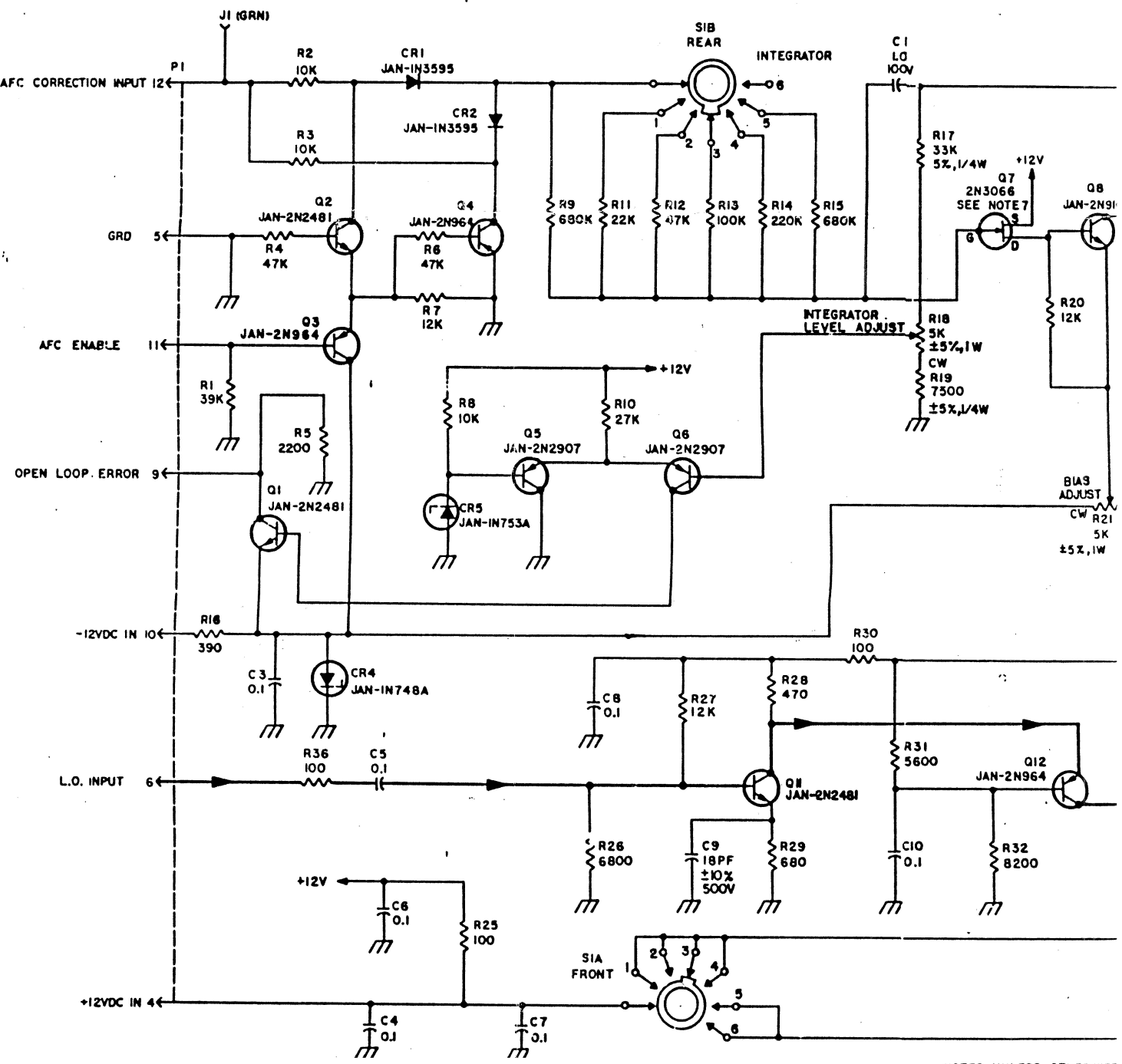
QTY PER DASH NO.	KEY	CODE IDENT	PART OR IDENTIFYING NO.	SYLVANIA PART NO.	NO. ENCLATURE OR DESCRIPTION	NOTE
PARTS LIST						
KEY: 9-VENDOR ITEM-FOR PROCUREMENT OR PART NUMBER SEE SPECIFICATION CONTROL OR SOURCE CONTROL DRAWING						
F- FEET I- INCHES						
APPLICABLE DOCUMENTS			UNLESS OTHERWISE SPECIFIED DIMENSIONS ARE IN INCHES		DR. DATE	
TOLERANCES			CHK. 1-7-66		B-11-65	
ANGLES ±			SURFACES		APPD.	
SYLVANIA ELECTRONIC SYSTEMS DIVISION OF SYLVANIA ELECTRIC PRODUCTS INC. MOUNTAIN VIEW, CALIFORNIA						
SCHEMATIC DIAGRAM AMPLIFIER - AF-AGC						



SYLVANIA ELECTRONIC SYSTEMS
DIVISION OF SYLVANIA ELECTRIC PRODUCTS INC
MOUNTAIN VIEW, CALIFORNIA

SCHEMATIC DIAGRAM
AMPL-MIXER-RF NO. 2
HF MANUAL RECEIVER

CODE IDENT	SIZE	00-687169
07397	E	
SCALE	SHEET 2 OF	



- NOTES-UNLESS OTHERWISE SHOWN. PREFIX WITH SUBASSY DESIGNATIONS COMPLETE DESIGNATION
1. PARTIAL REFERENCE DE:
 2. ALL RESISTANCE VALUE:
 3. ALL RESISTORS $\pm 10\%$, 1/
 4. ALL CAPACITANCE VALUE:
 5. ALL CAPACITORS $\pm 20\%$,
 6. SI IS GANGED TO BANC
 7. FOR Q7 SEE SCD 13-8

LIMITER AMPLIFIER

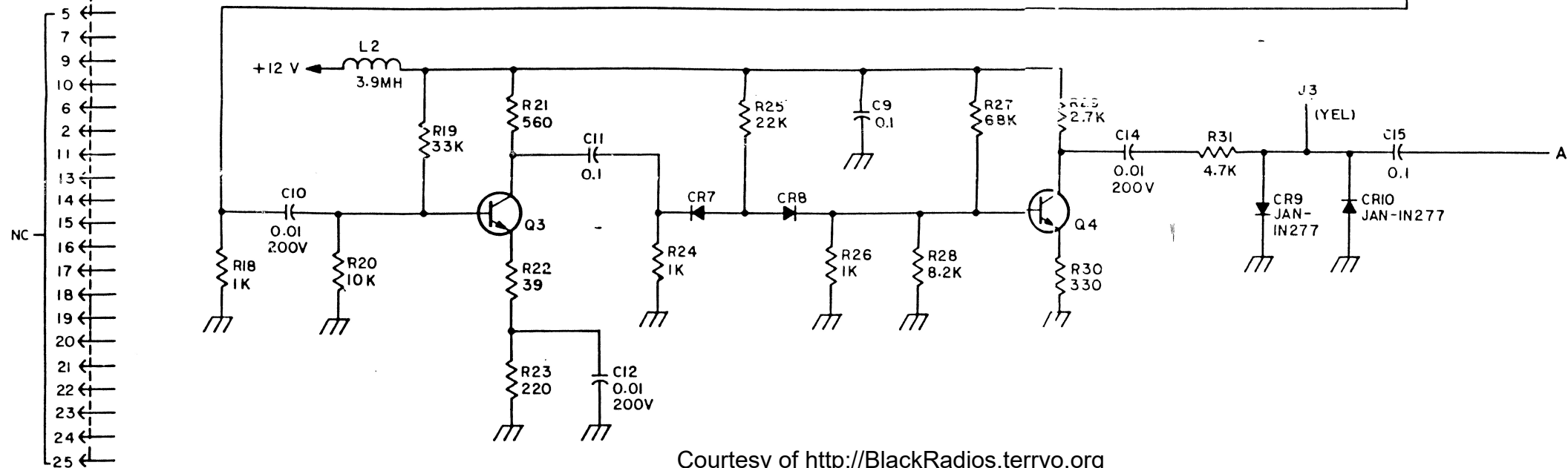
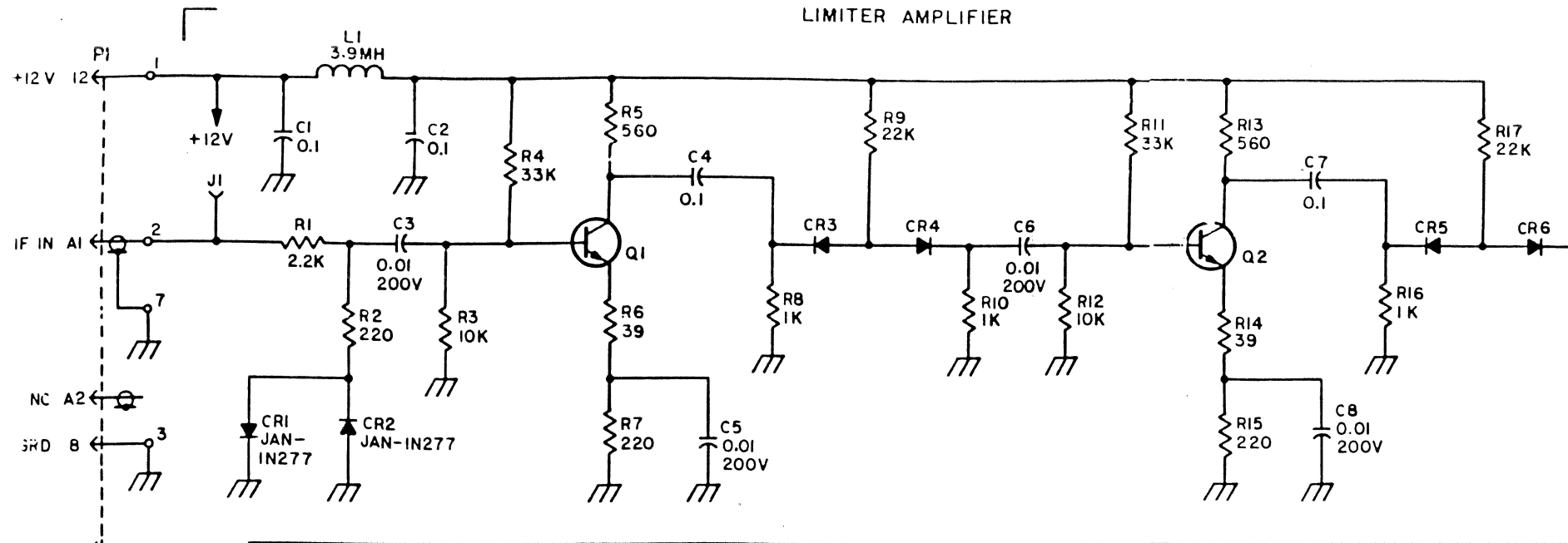
SYLVANIA ELECTRONIC SYSTEMS
DIVISION OF SYLVANIA ELECTRIC PRODUCTS INC
MOUNTAIN VIEW, CALIFORNIA

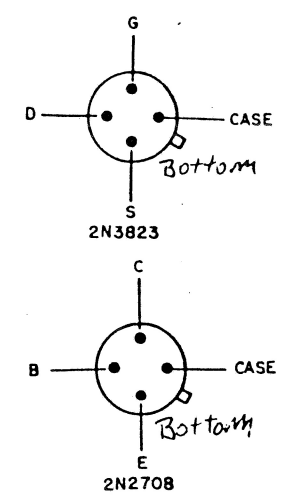
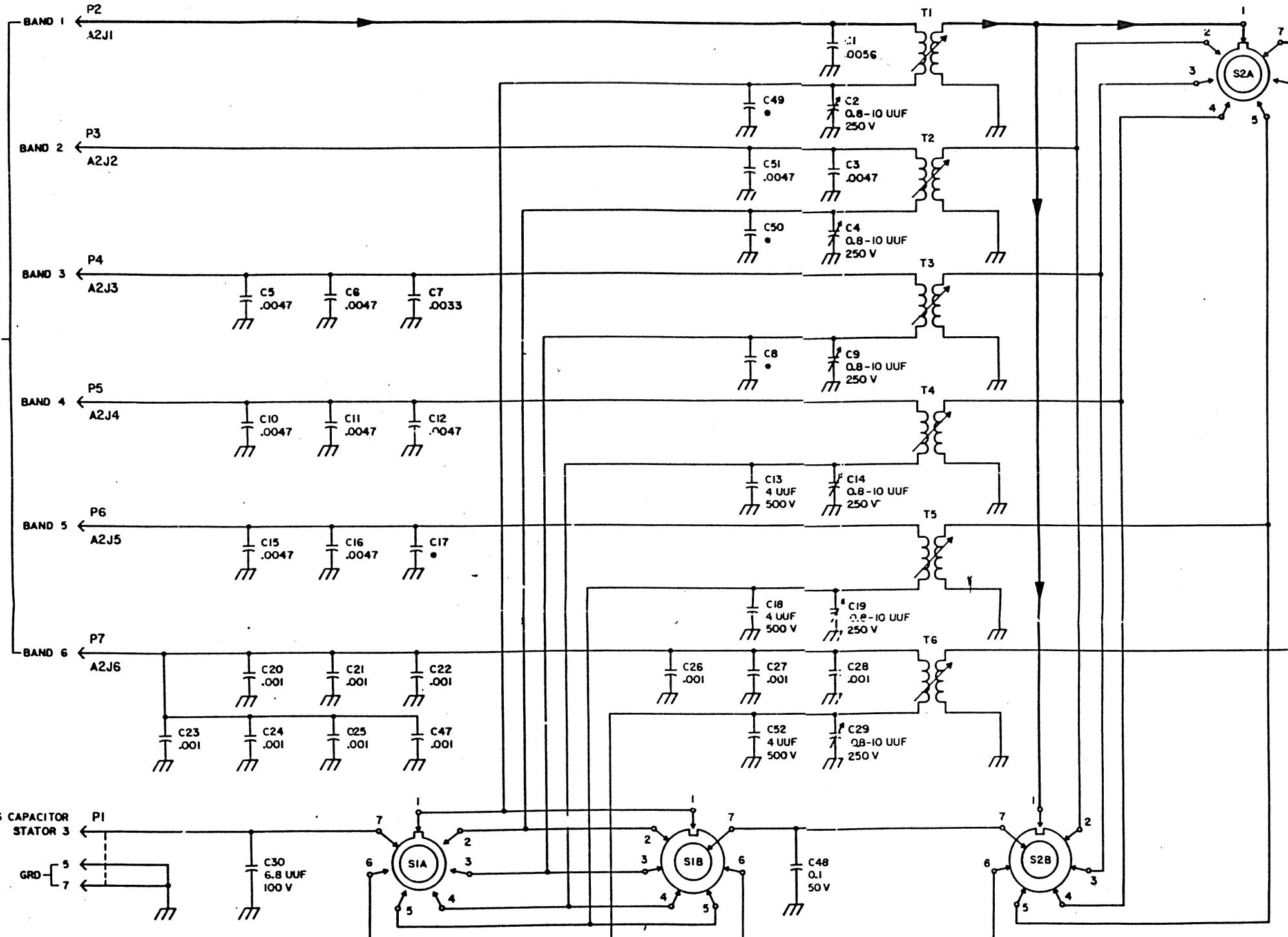
SCHEMATIC DIAGRAM -
FM ADAPTER
HF MAN. RCVR

CODE IDENT	SIZE	00-683452
07397	E	
SCALE		SHEET 1 OF 2

1 SCHEM DIAGRAM UNIT 515-2

All Transistors 2N930
All Diodes 2N914





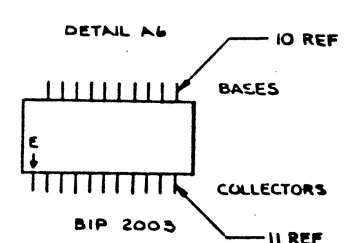
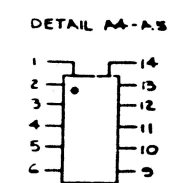
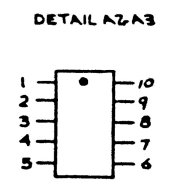
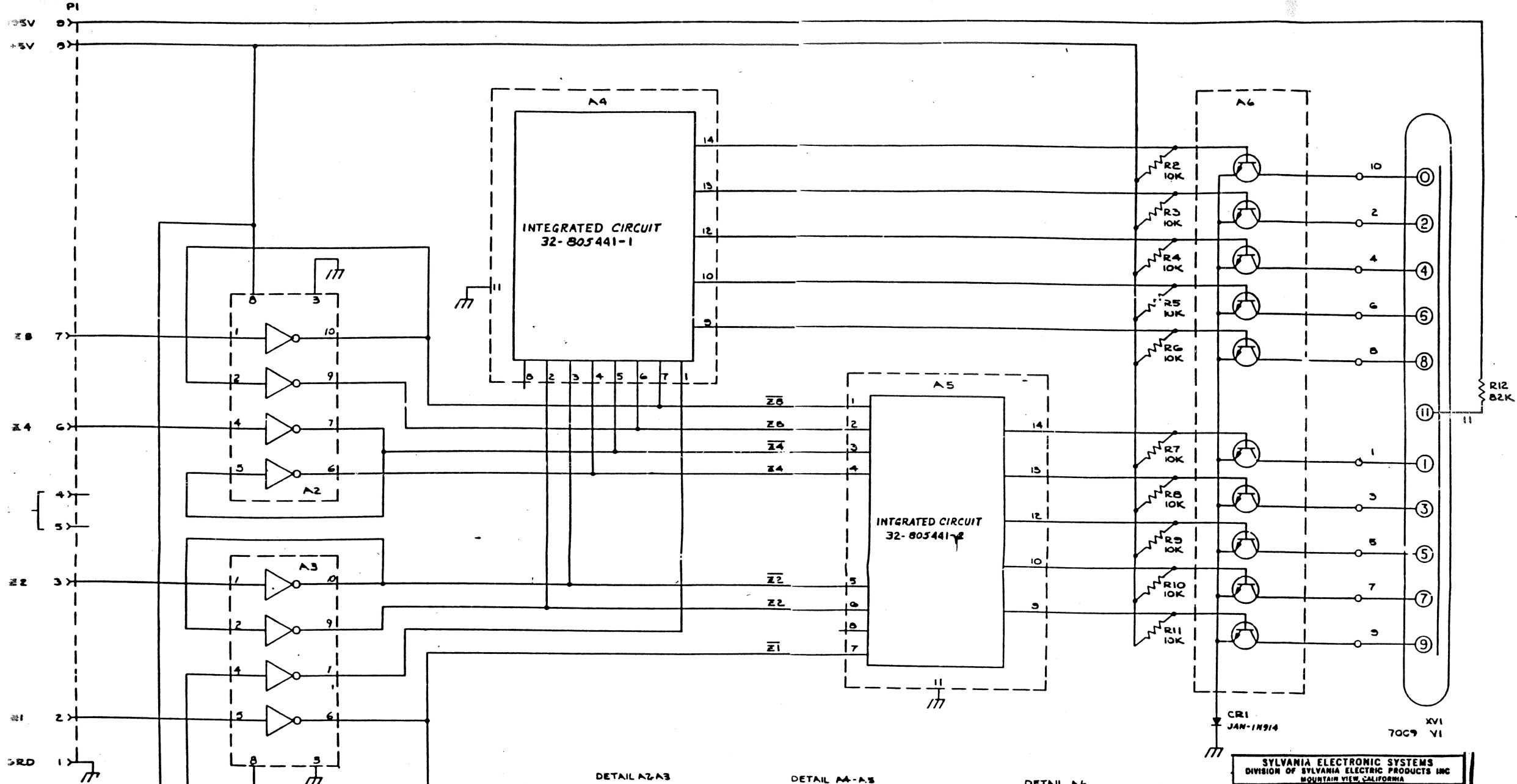
SYLVANIA ELECTRONIC SYSTEMS
 DIVISION OF SYLVANIA ELECTRIC PRODUCTS INC
 MOUNTAIN VIEW, CALIFORNIA

**SCHEMATIC DIAGRAM -
 AMPL-MIXER-RF NO.2, HF
 MANUAL RECEIVER**

CODE IDENT SIZE 00-687169
 SHEET 1 OF 2
 UNIT 515

Courtesy of <http://BlackRadios.terryo.org>

HIGHER REFERENCE DESIGNATION			
C52	R1	J1	T
R13	L3	Q2	
REFERENCE DESIGNATION NOT USED			
C31	R1	R3	R
C40	C41	C42	C



32-805453-1
 (5/1/68) of <http://BlackRadios.terryo.org>

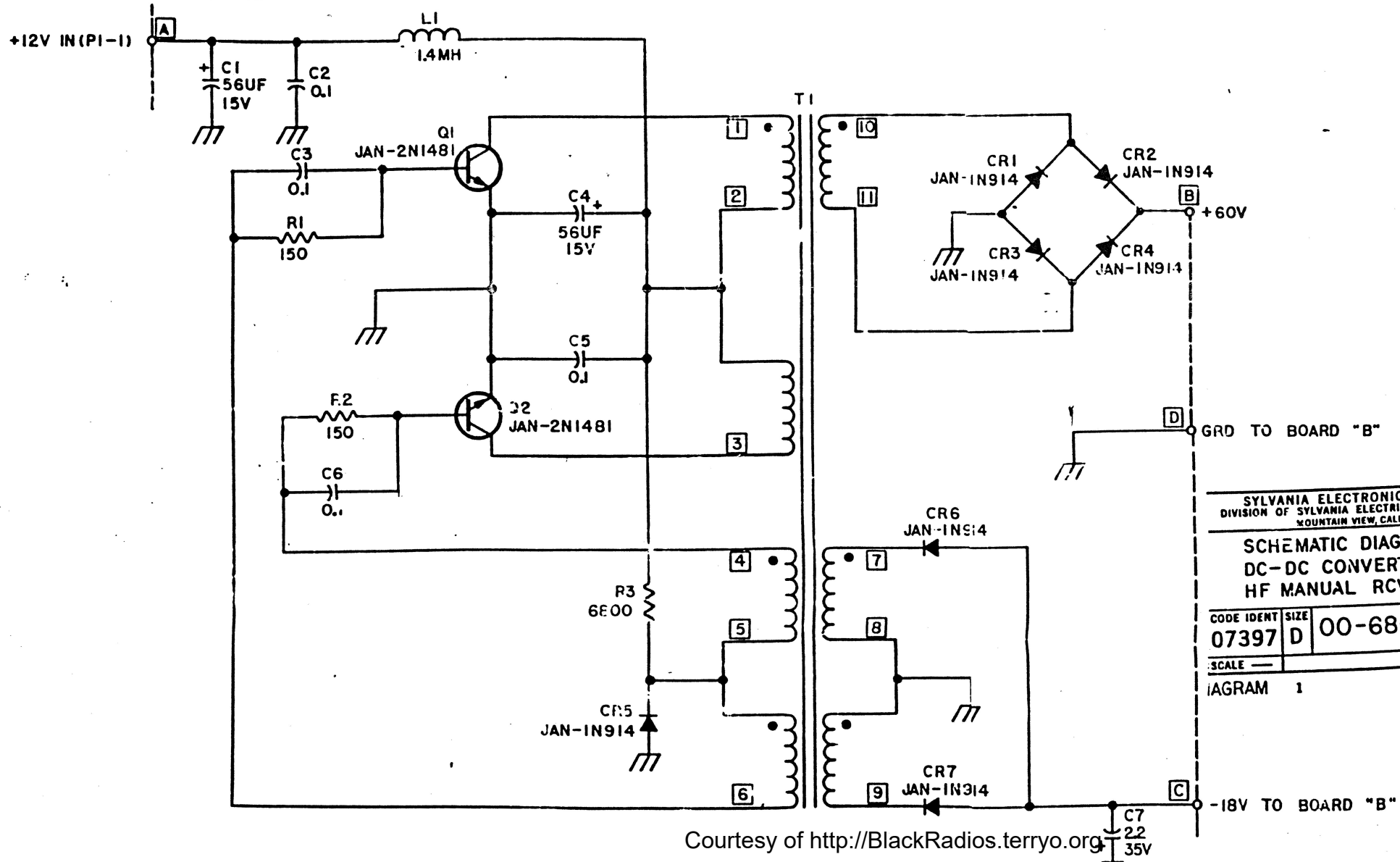
SYLVANIA ELECTRONIC SYSTEMS
 DIVISION OF SYLVANIA ELECTRIC PRODUCTS INC
 MOUNTAIN VIEW, CALIFORNIA

SCHEMATIC DIAGRAM -
 DECADE-2
 HF SHF & VLF COUNTERS

CODE IDENT	SIZE	00-685905
07397	E	
SCALE	SHEET 1 OF 1	

1 SCHEM DIAGRAM UNIT 501-1

CR1 JAN-1N914
 XVI 70C9 VI



REVISIONS	
SYM/ZONE	DESCRIPTION
A	REDRAWN W/O CHG PER EC 11648 24OCT66 D.

SYLVANIA ELECTRONIC SYSTEMS
DIVISION OF SYLVANIA ELECTRIC PRODUCTS INC
MOUNTAIN VIEW, CALIFORNIA

**SCHEMATIC DIAGRAM -
DC-DC CONVERTER (A)
HF MANUAL RCVR**

CODE IDENT	SIZE	00-686241
07397	D	

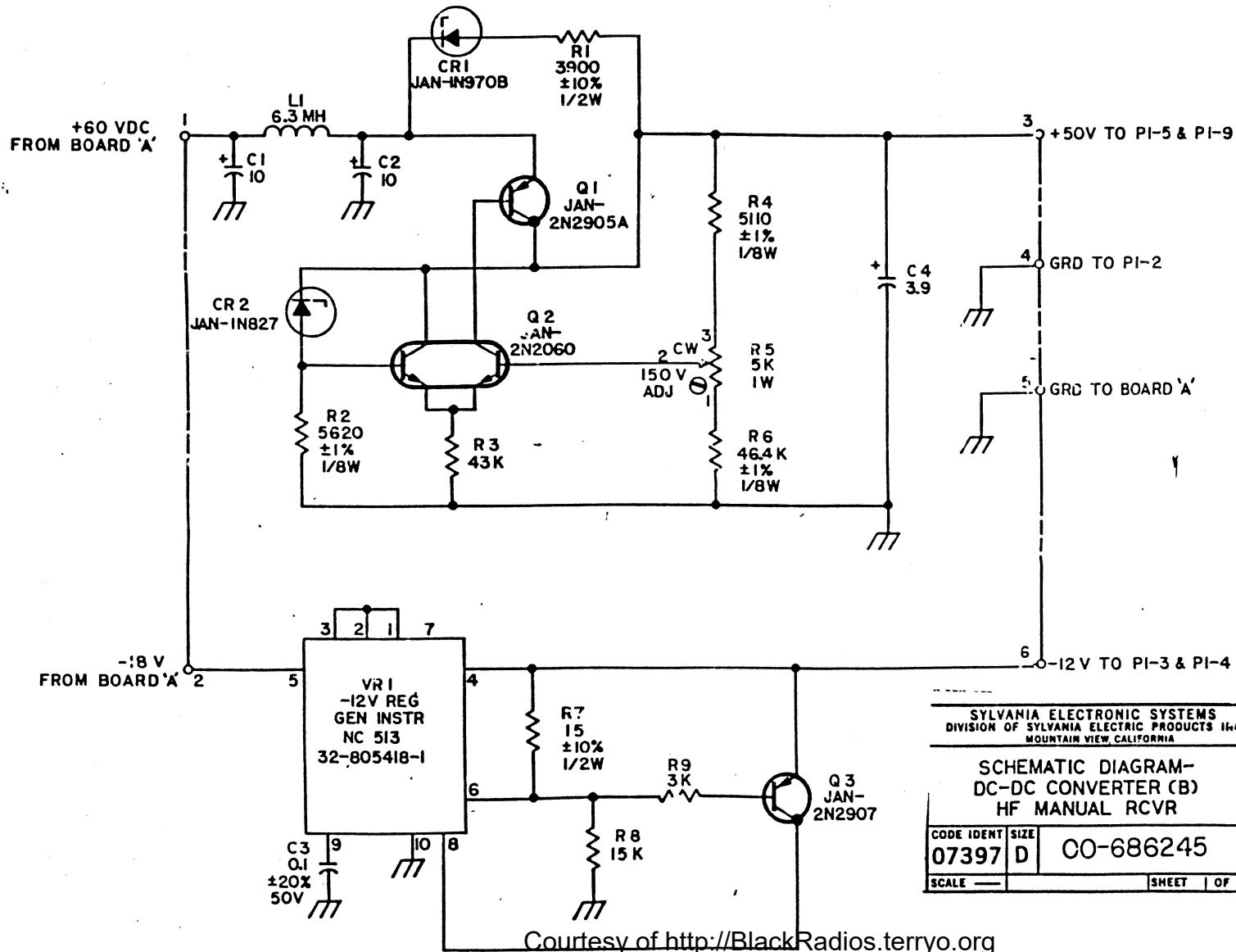
SCALE	SHEET	OF
1	1	1

UNIT 515-2

Courtesy of <http://BlackRadios.terryo.org>

HIGHEST REFERENCE DESIGNATIONS				
C7	CR7	L1	Q2	R3
REFERENCE				

REVISED		DESCRIPTION
SYM	ZONE	
A		REVISED & REDRAWN 10766(SYS 4 & UP) 1 SEP 66 X Z
B		REVISED PER ECI 13 FEB 69 CR

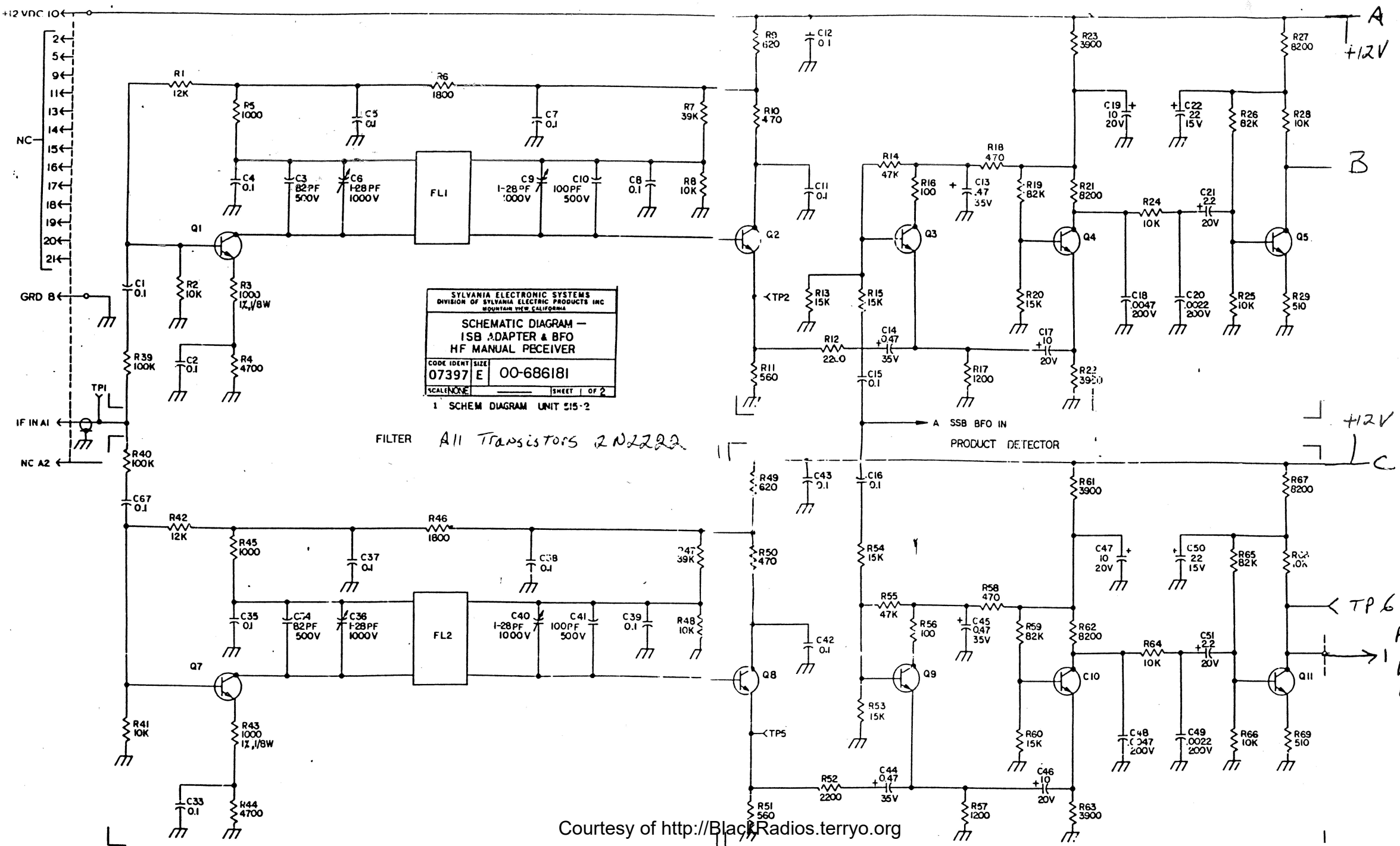


SYLVANIA ELECTRONIC SYSTEMS
DIVISION OF SYLVANIA ELECTRIC PRODUCTS INC
MOUNTAIN VIEW, CALIFORNIA

**SCHEMATIC DIAGRAM-
DC-DC CONVERTER (B)
HF MANUAL RCVR**

CODE IDENT	SIZE	CO-686245
07397	D	
SCALE	SHEET OF 1	

HIG REF	DESIG	C4	CR2	C
REF	DESIG	NOT		



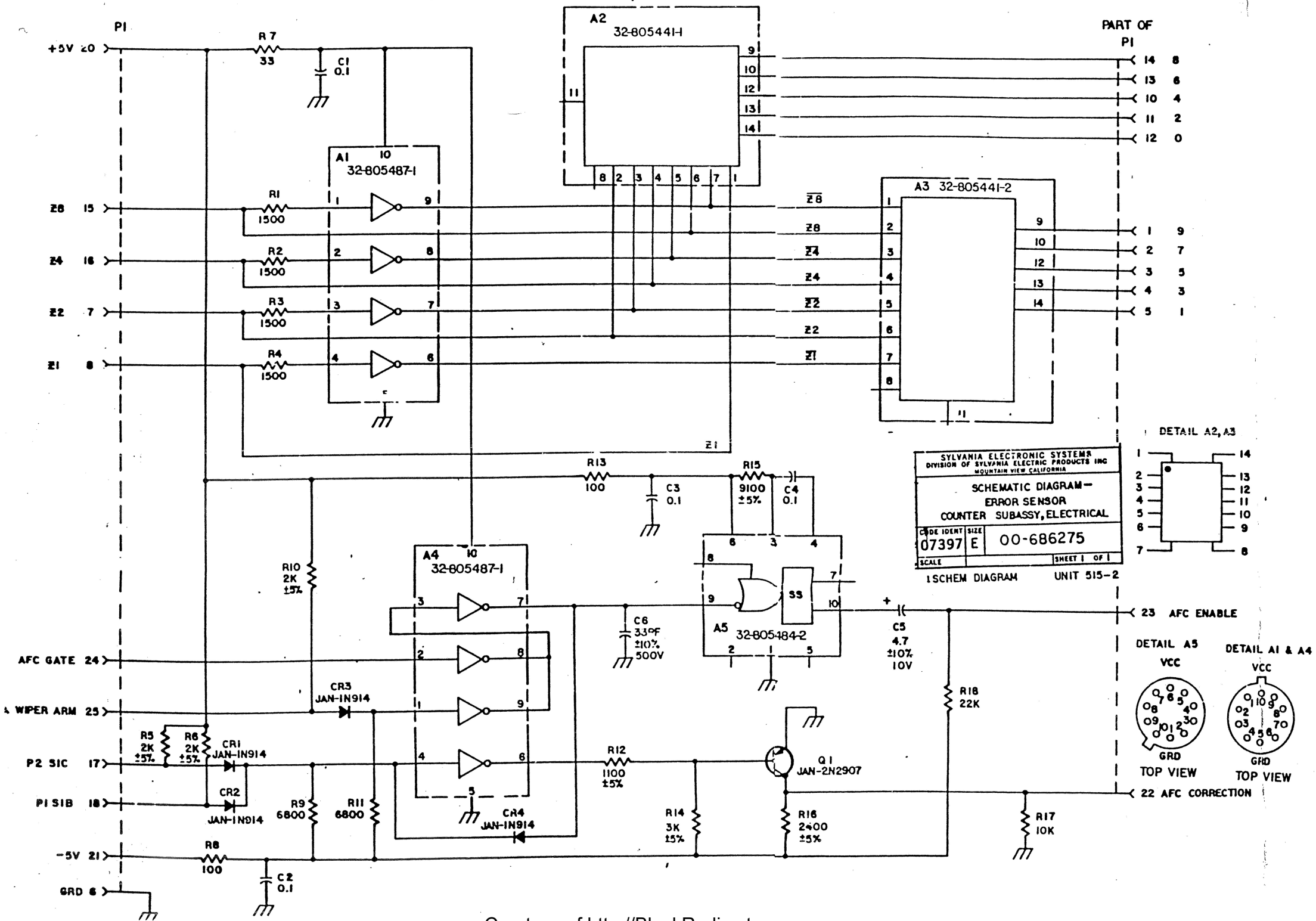
SYLVANIA ELECTRONIC SYSTEMS
 DIVISION OF SYLVANIA ELECTRIC PRODUCTS INC
 MOUNTAIN VIEW, CALIFORNIA
SCHEMATIC DIAGRAM -
ISB ADAPTER & BFO
HF MANUAL RECEIVER
 CODE IDENT SIZE
 07397 E 00-686181
 SCALE NONE SHEET 1 OF 2

1 SCHEM DIAGRAM UNIT 515-2

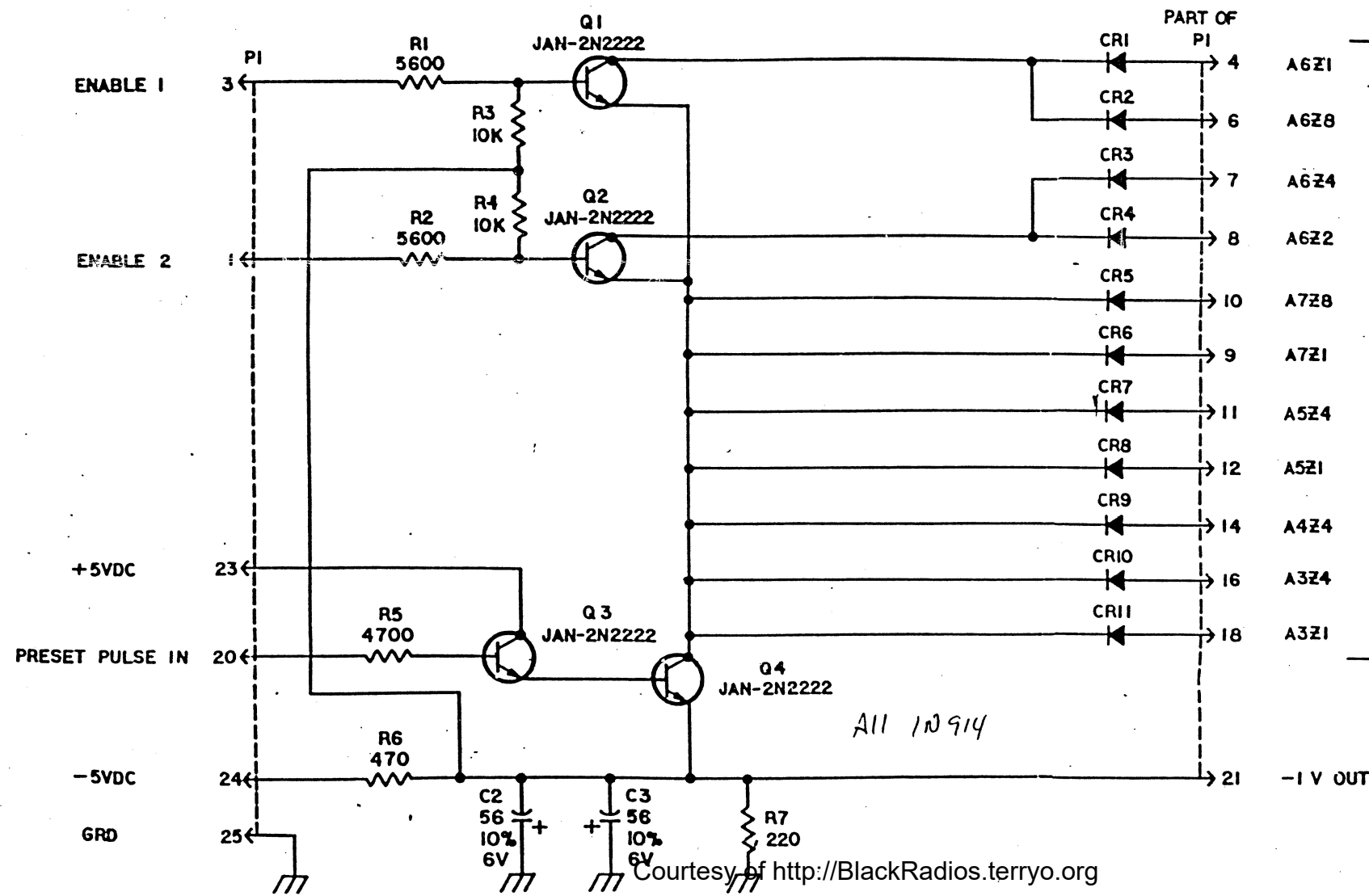
FILTER All Transistors 2N2222

A SSB BFO IN
PRODUCT DETECTOR

Part of P1
LSB
OUT



REVISIONS	
SYM/ZONE	DESCRIPTION
A	REDRAWN W/O CHANGE F 11648 24OCT



TO DECADES

All 10914

SYLVANIA ELECTRONIC SYSTEMS
DIVISION OF SYLVANIA ELECTRIC PRODUCTS INC
MOUNTAIN VIEW, CALIFORNIA

**SCHEMATIC DIAGRAM—
PRESET DRIVER
COUNTER SUBASSY, ELECTRONIC**

CODE IDENT	SIZE	00-686035
07397	D	
SCALE	SHEET 1 OF 1	

HIGHER REFERENCE DESIGNATION		
C3	CR11	

Audio Amplifier

SYLVANIA ELECTRONIC SYSTEMS
DIVISION OF SYLVANIA ELECTRIC PRODUCTS INC
MOUNTAIN VIEW, CALIFORNIA

**SCHEMATIC DIAGRAM —
ISB ADAPTER & BFO
HF MANUAL RECEIVER**

CODE IDENT	SIZE	
07397	E	00-686181
SHEET		1 SHEET 2

